

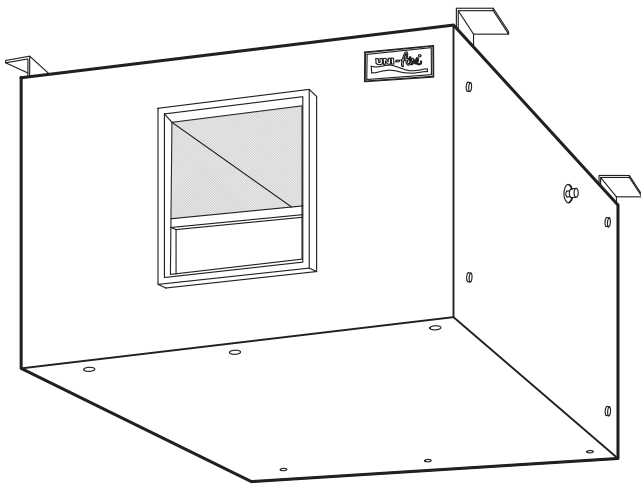
MODEL AHE / H

FOR DIRECT EXPANSION SYSTEM

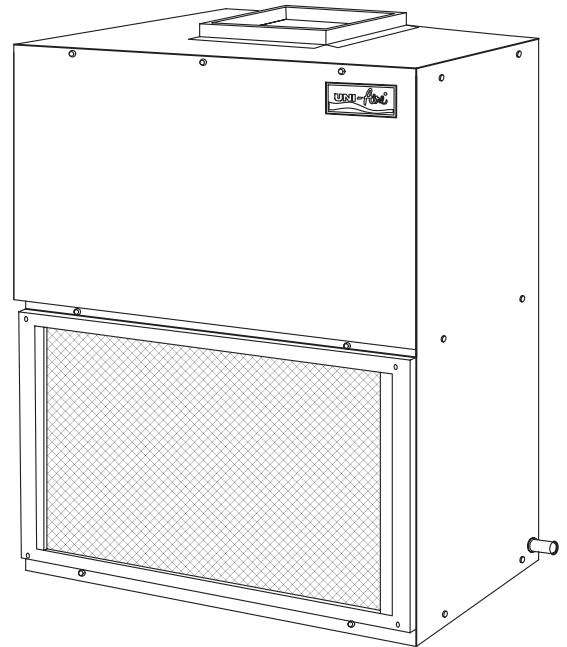
DUCTED TYPE

CAPACITY FROM

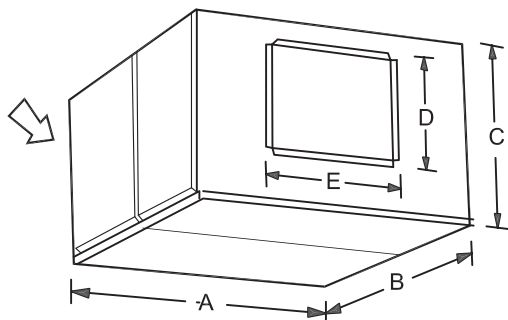
30,000 TO 60,000 BTUH



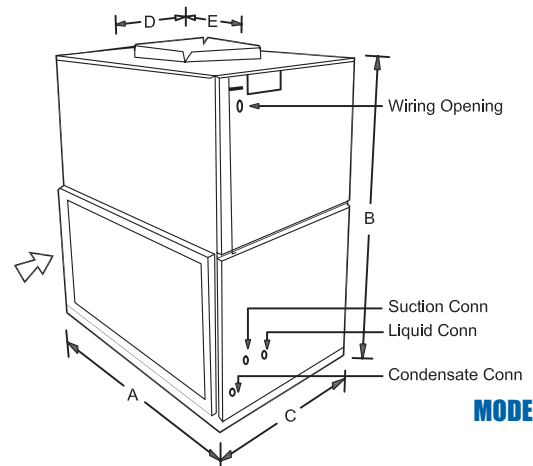
AHEH (Horizontal)



AHE (Vertical)



MODEL AHEH



MODEL AHEH

DIMENSION (mm.)

MODEL	A	B	C	D	E
AHE/H-30	737	890	474	273	257
AHE/H-36	737	890	474	273	257
AHE/H-40	922	890	474	273	314
AHE/H-50	922	890	474	273	314
AHE/H-60	922	890	474	292	353



Air Conditioning Experts

Condensing unit



Model AFQ : Casing made from high-quality sheet metal, coated with anti-oxidation white color. Durable with great heat rejection performance from advanced aerodynamic fan design. Compact size for easy installation in small spaces.



Model AKQ : Casing made from fiberglass, corrosion free. Suitable for durable use especially for seaside or acidic environment. Optional Copper fin and green guard coated fin are available.

PHYSICAL DATA & ELECTRICAL DATA

SPECIFICATION MODEL : AHE, AHEH / AFQ							
Nominal Cooling Capacity	BTU/Hr	30,000	36,000		40,000	50,000	60,000
Power Consumption	Watt	2,810	3,475	3,487	3,856	4,685	5,715
Rated Operation Current	Amp.	12.30	14.48	5.78	6.12	8.05	10.12
Power Supply	V/Ph/Hz	220/1/50		380/3/50			
TIS Standard มาตรฐาน มอก. 2134		⊕	⊕	⊕	⊕	-	-
Fan Coil Unit	Model: AHE / AHEH	30F	36F		40F	50F	60F
	Type	Ducted Type					
Rated Air Flow at High Speed	CFM	1,000	1,200		1,300	1,600	2,000
Fan	Type	Centrifugal Direct Drive					
Evaporator Coil	Type	Louver Aluminium Fin with Copper Tube					
Control	Type	Option					
Expansion Device	Type	Capillary Tube					
Air Filter	Type	Aluminium Filter					
Dimension	AHE	mm.	740 x 488 x 817			924 x 488 x 817	
	AHEH	mm.	817 x 938 x 504			924 x 938 x 504	
Weight	kgs.	68	72		75	77	78
Condensing Unit	Model: AFQ	301FB	361FB	363FB	403FB	503FX	603FX
Fan	Type	Propeller Fan (Horizontal Air Flow)					
Condenser Coil	Type	Louver Aluminium Fin with Copper tube					
Compressor	Type	Rotary				Scroll	
Refrigerant	Type	R-32 (Holding Charge)					
Connection	Suction Line	Inch (OD)	3/4				
	Liquid Line	Inch (OD)	3/8			1/2	
Dimension	H x W x D	mm.	784 x 944 x 410			1,140 x 944 x 410	
Weight	kgs.	65	67		74	91	101

SPECIFICATION MODEL : AHE, AHEH / AKQ							
Nominal Cooling Capacity	BTU/Hr	30,000	36,000		40,000	50,000	60,000
Power Consumption	Watt	2,820	3,475	3,475	3,869	4,605	5,775
Rated Operation Current	Amp.	12.20	15.00	5.90	6.76	8.03	10.25
Power Supply	V/Ph/Hz	220/1/50		380/3/50			
TIS Standard มาตรฐาน มอก. 2134		⊕	⊕	⊕	⊕	-	-
Fan Coil Unit	Model: AHE / AHEH	30F	36F		40F	50F	60F
	Type	Ducted Type					
Rated Air Flow at High Speed	CFM	1,000	1,200		1,300	1,600	2,000
Fan	Type	Centrifugal Direct Drive					
Evaporator Coil	Type	Louver Aluminium Fin with Copper Tube					
Control	Type	Option					
Expansion Device	Type	Capillary Tube					
Air Filter	Type	Aluminium Filter					
Dimension	AHE	mm.	740 x 488 x 817			924 x 488 x 817	
	AHEH	mm.	817 x 938 x 504			924 x 938 x 504	
Weight	kgs.	52	54		75	77	78
Condensing Unit	Model: AKQ	301FB	361FB	363FB	403FB	503FX	603FX
Fan	Type	Vertical Flow Fiberglass Cabinet					
Condenser Coil	Type	Propeller Fan					
Compressor	Type	Rotary				Scroll	
Refrigerant	Type	R-32 (Holding Charge)					
Connection	Suction Line	Inch (OD)	3/4				
	Liquid Line	Inch (OD)	3/8			1/2	
Dimension	W x H x D	mm.	835 x 710 x 594			835 x 812 x 594	
Weight	kgs.	63	70		82	91	96

Cooling capacity based on 27 °C DB, 19 °C WB air on evaporator coil and 35 °C DB air on condenser. Specifications are subjected to change without notice for future improvement.



UNI-AIRE CORPORATION CO., LTD.

69 Moo 3 Kingkaew Rd., Bangplee, Samutprakarn 10540 THAILAND

+662-312-4500

Whatsapp : +6691-754-0247

@uni-aire

www.uni-aire.com

localsale@uni-aire.com

export@uni-aire.com

Uni-Aire

Uni-Aire Export

