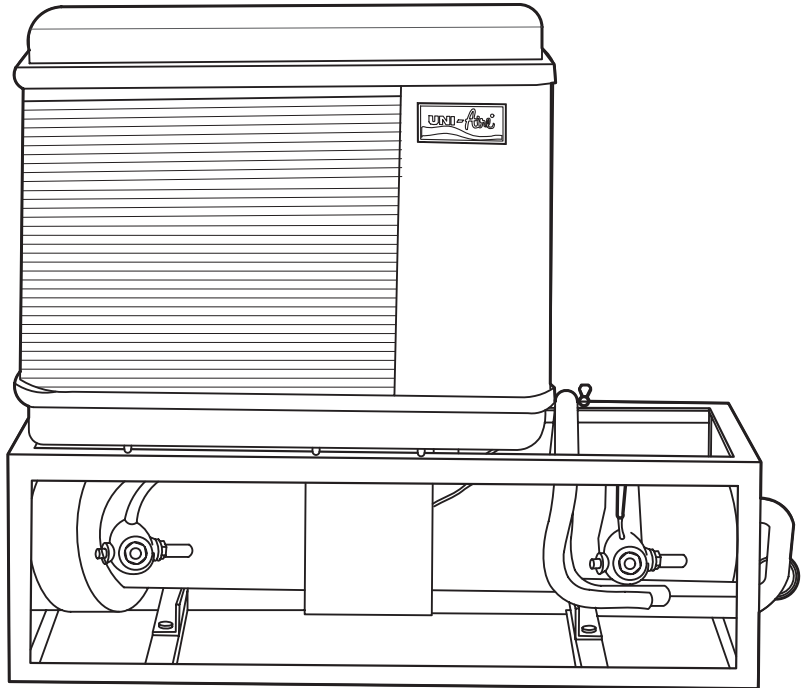


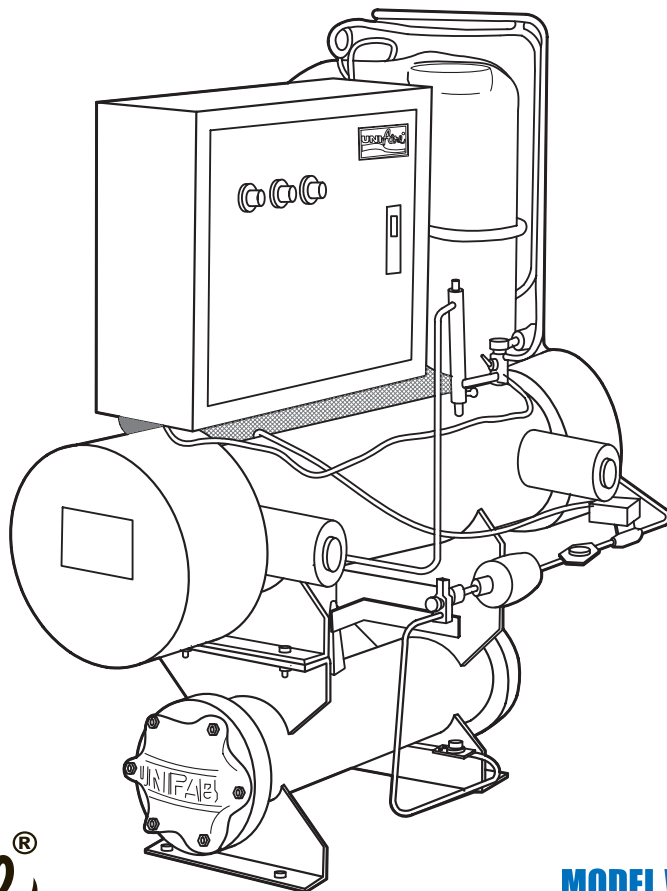
MODEL ACK-CHB/WCU-CHB

PACKAGED AIR
COOLED CHILLER

2.0-4.5 TR
7.0-16 KW



MODEL ACK-CHB



MODEL WCU-CHB

UNI-Aire[®]

ยูนีแอร์ แอร์พัมพ์ฮิต

PHYSICAL DATA & ELECTRICAL DATA

MODEL		ACK-CHB-25	ACK-CHB-30	ACK-CHB-36	ACK-CHB-50	ACK-CHB-60	
NOMINAL COOLING CAPACITY* MBH ▲		22.68	26.77	32.9	45.5	54.4	
COMPRESSOR	Type	ROTARY	SCROLL	SCROLL	SCROLL	SCROLL	
	HP.	2 1/2	2 1/2	3	4 1/2	6	
	Qty./Unit	1					
CONDENSER COIL	Type/Material	ALUMINIUM LOUVER SLIT FIN WITH INNERGROOVE COPPER TUBE					
	Face area (Sq...Ft.)	6.72	8.96	8.96	10.75	10.75	
	Rows....Fins/in	1.73/12	1.0/12	1.6/12	1.67/12	2.0/12	
	Tube Size (in)	3/8"					
COMPRESSOR FAN	FAN	Type	PROPELLER FAN : VERTICAL DISCHARGE : DIRECT DRIVE				
		Diameter (in)	18"				
	MOTOR	Each Motor (HP.)	1/12	1/6	1/6	1/3	1/3
		Rpm.	780	900	900	1200	1200
	Qty./Unit	1					
REFRIGERANT	Type	R - 22					
	Charge	HOLDING					
WATER CHILLER							
No. Of Circuits		1					
Chilled Water Flow Rate (GPM)		4.54	5.35	6.46	9.1	10.88	
Chilled Water Temp. In/Out (°F)		55 / 45					
Chilled Water Pressure Drop (Ft.WG)		1.52	1.02	1.34	2.26	3.32	
Water Connection In/Out (in)		3/4	3/4	3/4	1	1	
COMPRESSOR (Each)	V / PH / Hz	220/1/50	220/1/50	220/1/50	380/3/50	380/3/50	
	RLA. (Amp.)	14.3	16.4	17.1	7.1	8.9	
	LRA (Amp.)	55	82	97	46	65.5	
FAN MOTOR (Each)	V / PH / Hz	220 / 1 / 50					
	RLA. (Amp.)	0.5	0.89	0.89	1.82	1.82	
WEIGHT	Operation (Kgs.)	148	160	165	210	216	

Note : -

RLA = Rated Load Amp.

LRA = Locked Rotor Amp.

▲ MBH = 1,000 Btuh

* Nominal Cooling Capacity Based on 38°F Suction Temp. and 95°F Ambient Temp
Fouling Factor 0.0005 Ft² .h.F/Btu in Chiller

FOR SI. UNIT, COOLING CAPACITY (KW) = $\frac{MBH \times 1000}{3412}$

STANDARD ACCESSORIES

REFRIGERATION PARTS

- THERMOSTATIC EXPANSION VALVE
- SIGHT GLASS
- FILTER DRIER
- SERVICE AND SHUT OFF VALVES

ELECTRICAL PARTS

- MAGNETIC CONTACTOR FOR MOTOR COMPRESSOR (220/1/50)
- MAGNETIC CONTACTOR W/OVERLOAD FOR MOTOR COMPRESSOR (380/3/50)
- HIGH-LOW PRESSURE SWITCHES (ONLY ACK-CHB-50 TO 60)
- TEMPERATURE CONTROL
- FREEZESTAT

PHYSICAL DATA & ELECTRICAL DATA

MODEL		WCU-CHB	WCU-CHB	WCU-CHB	WCU-CHB	WCU-CHB	
		002	003	004	005	006	
NOMINAL COOLING CAPACITY* MBH ▲		24.73	29.16	35.42	49.58	59.2	
NO. OF CIRCUITS		1 CIRCUIT					
COMPRESSOR	Type	ROTARY	SCROLL	SCROLL	SCROLL	SCROLL	
	HP.	2 1/2	2 1/2	3	4 1/2	6	
	Qty./Unit	1					
WATER COOLED CONDENSER							
Water Flow Rate	(GPM)	6.4	7.8	9.6	12.5	17	
Entering Water Temp.	(°F)	90					
Leaving Water Temp.	(°F)	100					
Water Pressure Drop	(Ft.WG)	8	8.5	9.3	10.8	19	
No. of Water Passes		4					
Water Connection In/Out	(in)	1/1					
Qty./Unit		1					
WATER CHILLER							
No. Of Circuits		1					
Chilled Water Flow Rate	(GPM)	4.95	5.83	7.08	9.92	11.84	
Chilled Water Temp. In/Out	(°F)	55 / 45					
Chilled Water Pressure Drop	(Ft.WG)	1.82	1.20	1.61	2.77	3.94	
Water Connection In/Out	(in)	3/4	3/4	3/4	1	1	
Qty./Unit		1					
REFRIGERANT	Type	R - 22					
	Charge	HOLDING					
COMPRESSOR (Each)	V / PH / Hz	220/1/50	220/1/50	220/1/50	380/3/50	380/3/50	
	RLA. (Amp.)	8.8	16.4	19.3	7.2	8.9	10
	LRA (Amp.)	47	82	82	48	65.5	74
WEIGHT	Operation (Kgs.)	120	140	145	170	175	

Note : -

RLA = Rated Load Amp.

LRA = Locked Rotor Amp.

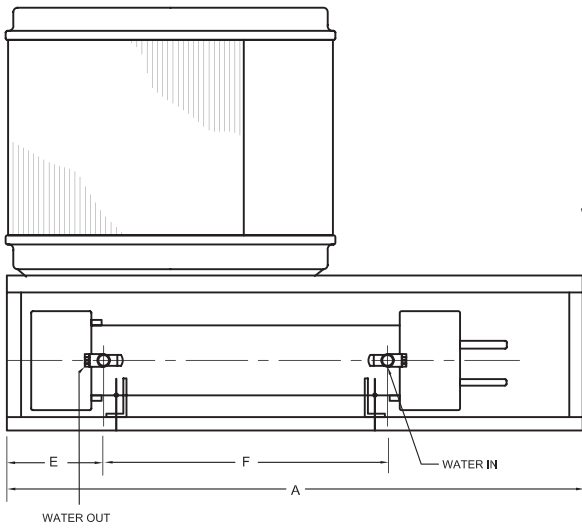
▲ MBH = 1,000 Btuh

* Nominal Cooling Capacity Based on 38°F Suction Temp. and 90°F Entering Water Temp
Fouling Factor 0.0005 Ft² .h.F/Btu in Chiller and Condenser

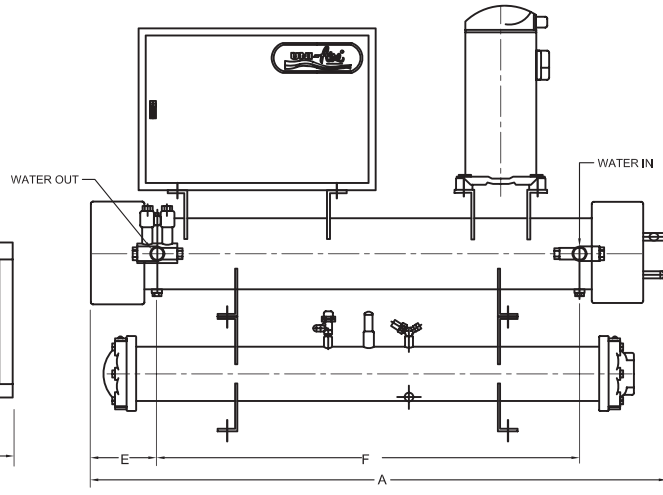
STANDARD ACCESSORIES : THE SAME AS ACK-CHB-XXX

SPECIFICATIONS SUBJECT TO CHANGE WITHOUT NOTICE

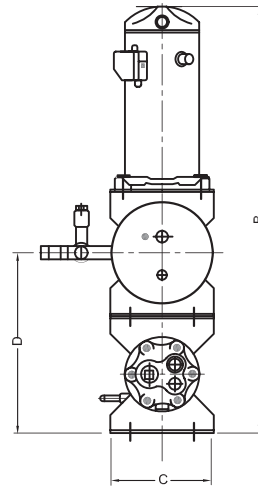
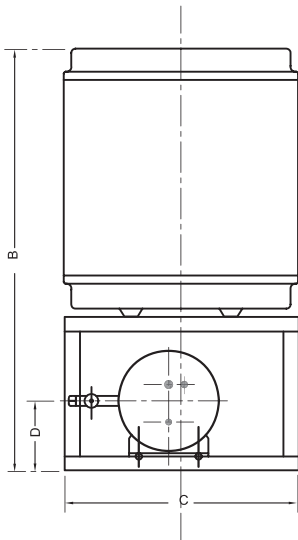
DIMENSIONAL DRAWINGS PACKAGED AIR COOLED CHILLER



DIMENSIONAL DRAWINGS PACKAGED WATER COOLED CHILLER



FRONT VIEW



SIDE VIEW

WCU-CHB	A	B	C	D	E	F
ACK-CHB-25 (mm.)	1475	940	594	171	227	764
ACK-CHB-30 (mm.)	1475	1019	594	184	227	764
ACK-CHB-50 (mm.)	1742	1168	594	184	227	1069

WCU-CHB	A	B	C	D	E	F
002 (mm.)	1326	892	229	399	167	764
003 (mm.)	1326	968	254	438	167	764
004 (mm.)	1326	968	254	438	167	764
005 (mm.)	1631	1024	254	438	167	1069
006 (mm.)	1631	1024	254	438	167	1069



UNI-AIRE CORPORATION CO., LTD.

69 Moo 3 Kingkaew Rd.,Bangplee,Samutprakarn 10540 THAILAND Tel. 02 312-4500,02 312-4263-78 Fax.02 312 4277
 69 หมู่ 3 ด.กิ่งแก้ว ต.ราชาเทวะ อ.บางพลี จ.สมุทรปราการ 10540 โทร 02 312-4500, 02 312-4263-78 แฟกซ์ 02 312-4277
<http://www.uni-aire.com> E-mail:localsale@uni-aire.com, marketing@uni-aire.com

*SPECIFICATIONS SUBJECT TO CHANGE WITHOUT NOTICE.