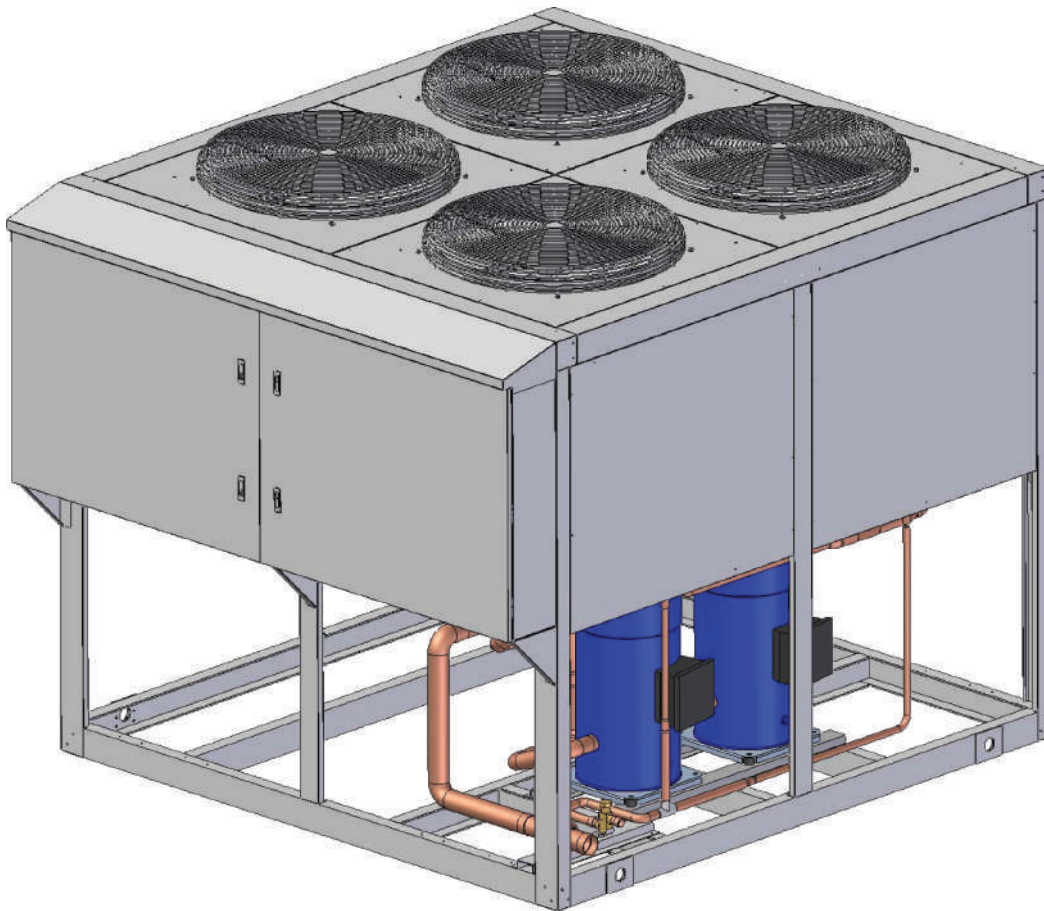


MODEL VACU

AIR COOLED CONDENSING UNIT

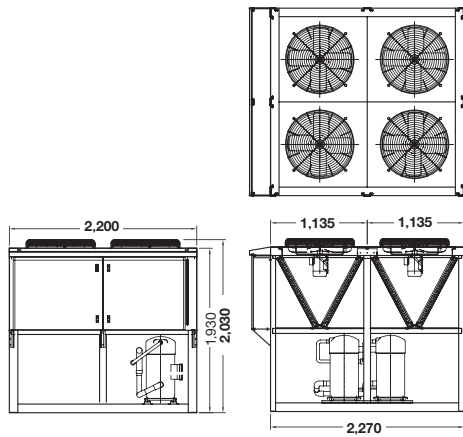
41.6 - 166.6 TR

146.4 - 585.6 kW

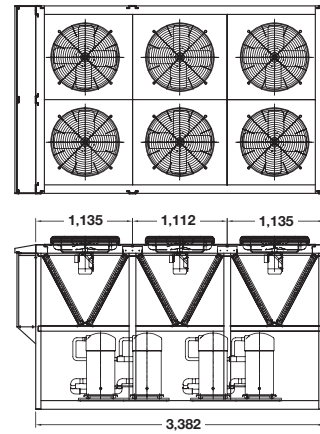


UNI-Aire[®]

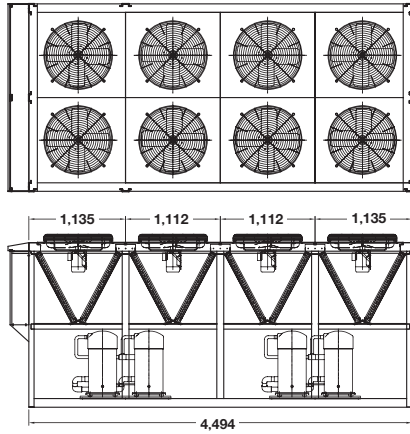
Air Conditioning Experts



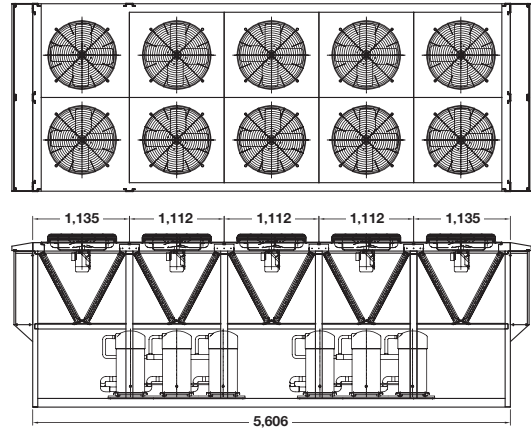
VACU-050, 060



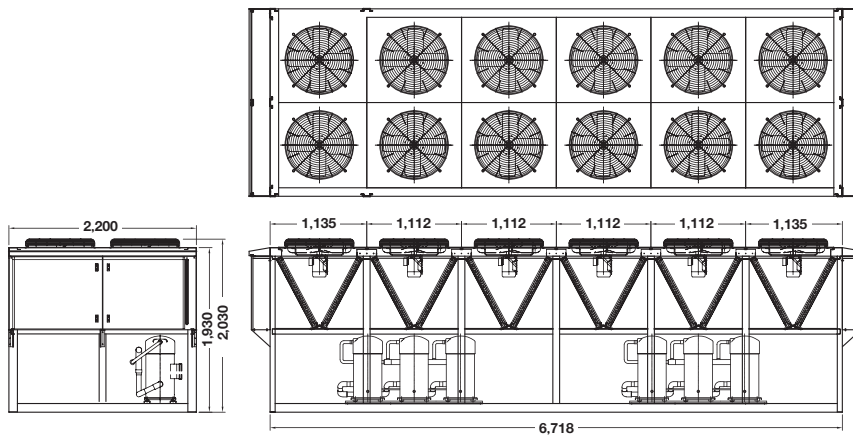
VACU-070, 080



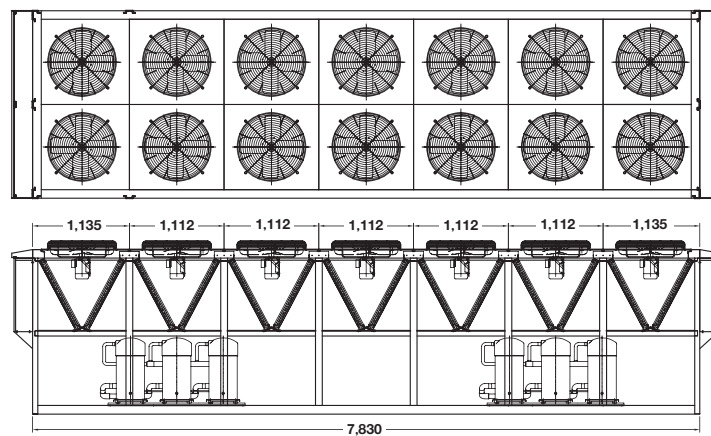
VACU-100, 120



VACU-150



VACU-180



VACU-200

SPECIFICATION MODEL : VACU

MODEL	VACU.	050	060	070	080	100	120	150	180	200			
PHYSICAL DATA													
NOMINAL CAPACITY	MBH.	500	600	700	800	1,000	1,200	1,500	1,800	2,000			
POWER CONSUMPTION	kW	48.1	52.2	65.5	74.5	96.2	104.4	127.3	156.7	172.0			
COMPRESSOR	Type	HERMETIC SCROLL											
	HP./ Tandem	25+25	30+25	20+15	20+20	25+25	30+25	(25x3),(20x3)	(30x3),(25x3)	(30 x 3)			
	No. of Tandem	1			2								
	Qty. / Unit	2			4				6				
CONDENSER COIL	Type / Material	Aluminium Louver Fin with Inner Groove Copper Tube											
	Tube Size (in.)	3/8											
CONDENSER FAN & MOTOR	Type.	Propeller Fan : Vertical Discharge : Direct Drive											
	Fan Dia. (in.)	30											
	Motor Rpm.	900											
	Each Motor (HP.)	1											
	Qty. / Unit	4			6		8		10		12		14
	Air Quantity (CFM.)	40,000			60,000		80,000		100,000		120,000		140,000
REFRIGERANT	Type	R - 22											
	Charge	Holding											
CONNECTIONS	Suction (in.)	1-5/8 x2	2-1/8 x2				2-5/8 x2						
	Liquid (in.)	7/8x2				1-1/8x2			1-3/8x2				
WEIGHT	(Kgs)	1,248	1,260	1,856	2,050	2,494	2,520	3,310	3,780	4,250			
ELECTRICAL DATA													
COMPRESSOR	Volt / Ph./ Hz.	380 / 3 / 50											
	Power Input (kW)	42.2	46.34	56.64	65.67	84.4	92.67	112.55	139.01	151.42			
	RLA. (Amp.)	74	79	102	114	148	158	168	237	253			
FAN MOTOR (Each)	Volt / Ph./ Hz.	380 / 3 / 50											
	Power Input (kW)	1.47											
	FLA. (Amp.)	2.3											

NOTE : Nominal capacity based on 45 °F suction temp. and 95 °F Ambient Temp.

(1 MBH. = 1,000 BTUH.)

RLA = Rated Load Amp.



ISO 9001
ISO 14001
ISO 45001
ISO 14064-1



UNI-AIRE CORPORATION CO., LTD.

69 Moo 3 Kingkeaw Rd., Rachatewa District,

Bangplee, Samutprakarn 10540 Thailand

Tel : +662-312-4500, Website : www.uni-aire.com

Export Sale : export@uni-aire.com

Domestic Sale : localsale@uni-aire.com



AIR COOLED CONDENSING UNIT

STANDARD ACCESSORIES

REFRIGERATION PARTS

- SERVICE & SHUT OFF VALVES
- CHECK VALVES (FOR PARALLEL COMPRESSORS ONLY)

ELECTRICAL PARTS

- MAGNETIC CONTACTOR W/OVERLOAD FOR FAN MOTOR
- MAGNETIC CONTACTOR W/OVERLOAD FOR MOTOR COMPRESSOR
- TIME DELAY RELAY DEVICES
- HIGH-LOW PRESSURE SWITCH

**Eurovent certified for mode DAHH only.



ISO 9001
ISO 14001
ISO 45001



UNIAIRE CORPORATION CO., LTD.

69 Moo 3 Kingkeaw Rd., Rachatewa District,
Bangplee, Samutprakarn 10540 Thailand

Tel.+662-312-4500, Email.export@uni-aire.com

www.uni-aire.com Whatsapp. +666-2312-3069



TIS.2134



TIS.1529



Quality Product
Manufacture by
Member of
The Federation
of Thai Industries



THAILAND
ENERGY
AWARDS



PRIME MINISTER'S AWARD
• BEST THAI BRAND
• BEST EXPORTER
• GREEN INNOVATION