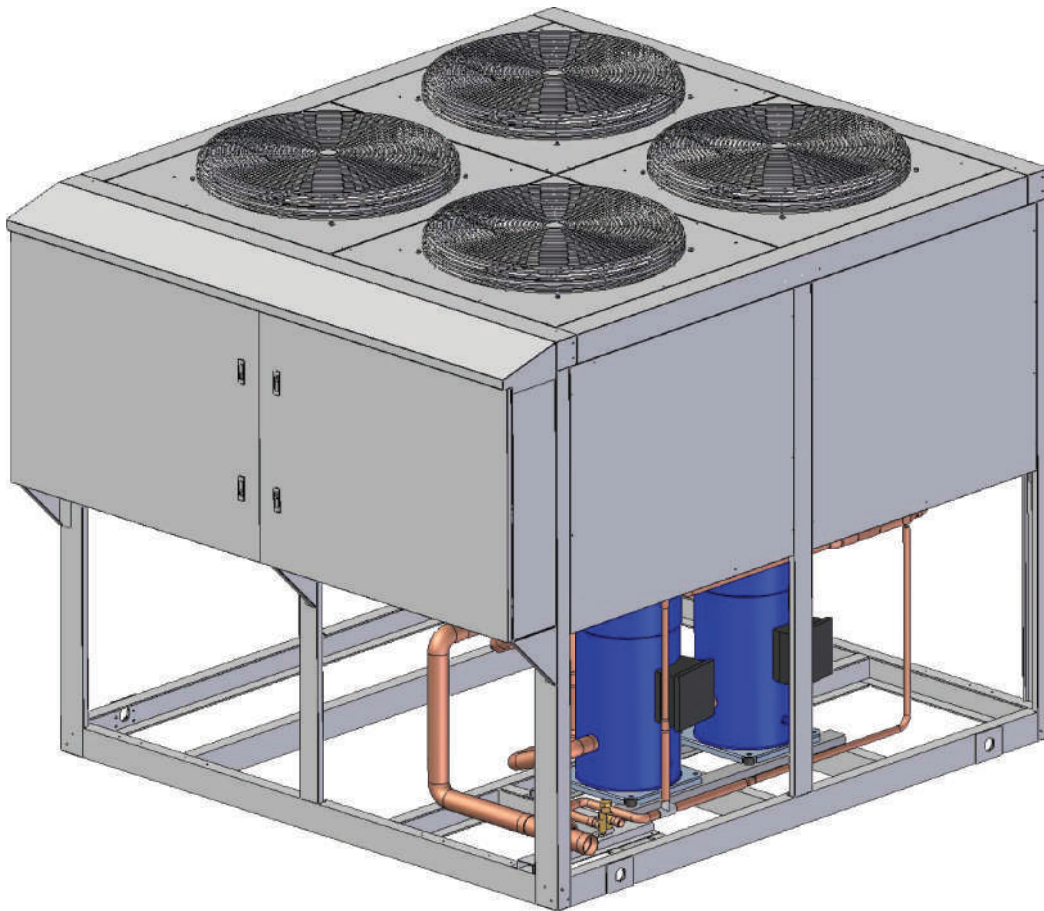


# MODEL VACU

**AIR COOLED CONDENSING UNIT**

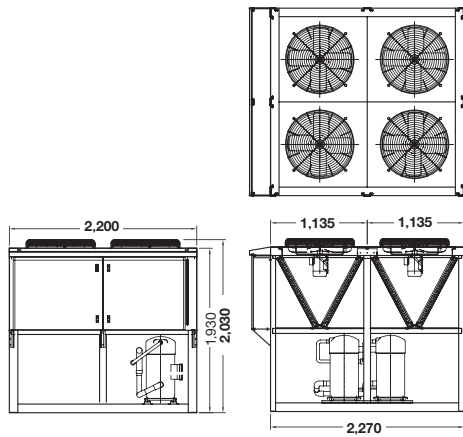
**41.6 - 166.6 TR**

**146.4 - 585.6 kW**

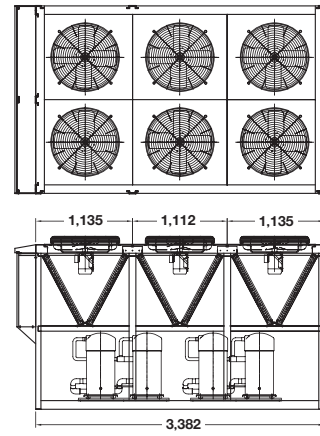


**UNI-Aire<sup>®</sup>**

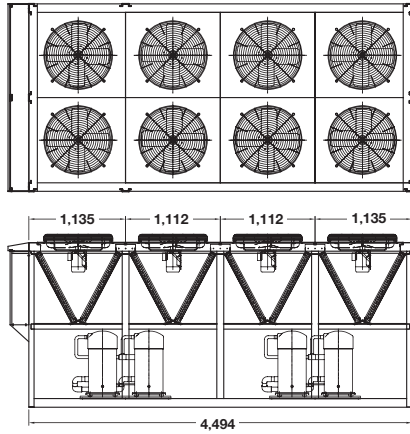
Air Conditioning Experts



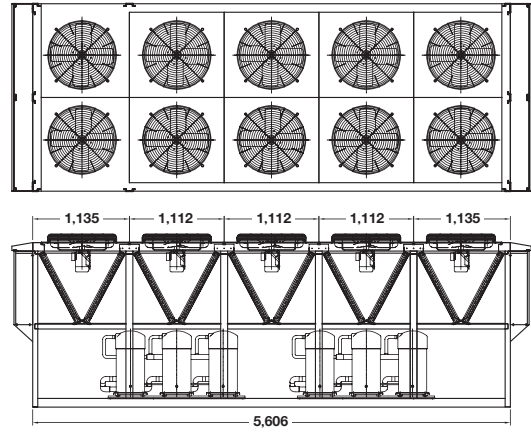
**VACU-050, 060**



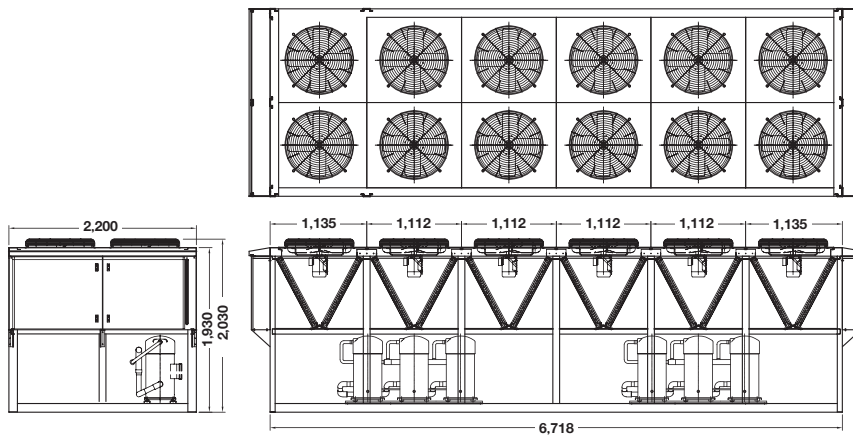
**VACU-070, 080**



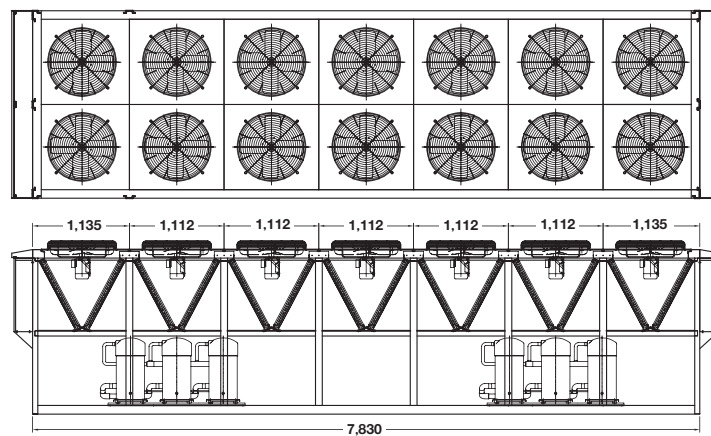
**VACU-100, 120**



**VACU-150**



**VACU-180**



**VACU-200**

**SPECIFICATION MODEL : VACU**

MODEL	VACU.	050	060	070	080	100	120	150	180	200	
<b>PHYSICAL DATA</b>											
<b>NOMINAL CAPACITY</b>	MBH.	500	600	700	800	1,000	1,200	1,500	1,800	2,000	
<b>POWER CONSUMPTION</b>	kW	48.1	52.2	65.5	74.5	96.2	104.4	127.3	156.7	172.0	
<b>COMPRESSOR</b>	Type	HERMETIC SCROLL									
	HP./ Tandem	25+25	30+25	20+15	20+20	25+25	30+25	(25x3),(20x3)	(30x3),(25x3)	(30 x 3)	
	No. of Tandem	1			2						
	Qty. / Unit	2			4			6			
<b>CONDENSER COIL</b>	Type / Material	Aluminium Louver Fin with Inner Groove Copper Tube									
	Tube Size (in.)	3/8									
<b>CONDENSER FAN &amp; MOTOR</b>	Type.	Propeller Fan : Vertical Discharge : Direct Drive									
	Fan Dia. (in.)	30									
	Motor Rpm.	900									
	Each Motor (HP.)	1									
	Qty. / Unit	4		6		8		10		12	14
	Air Quantity (CFM.)	40,000		60,000		80,000		100,000		120,000	140,000
<b>REFRIGERANT</b>	Type	R - 22									
	Charge	Holding									
<b>CONNECTIONS</b>	Suction (in.)	1-5/8 x2	2-1/8 x2				2-5/8 x2				
	Liquid (in.)	7/8x2				1-1/8x2		1-3/8x2			
<b>WEIGHT</b>	(Kgs)	1,248	1,260	1,856	2,050	2,494	2,520	3,310	3,780	4,250	
<b>ELECTRICAL DATA</b>											
<b>COMPRESSOR</b>	Volt / Ph./ Hz.	380 / 3 / 50									
	Power Input (kW)	42.2	46.34	56.64	65.67	84.4	92.67	112.55	139.01	151.42	
	RLA. (Amp.)	74	79	102	114	148	158	168	237	253	
<b>FAN MOTOR ( Each )</b>	Volt / Ph./ Hz.	380 / 3 / 50									
	Power Input (kW)	1.47									
	FLA. (Amp.)	2.3									

NOTE : Nominal capacity based on 45 °F suction temp. and 95 °F Ambient Temp.

(1 MBH. = 1,000 BTUH.)

RLA = Rated Load Amp.



**UNIAIRE CORPORATION CO., LTD.**

69 Moo 3 Kingkeaw Rd., Rachatewa District, Bangplee, Samutprakarn 10540 Thailand

Tel : +662-312-4500, Website : www.uni-aire.com

Export Sale : export@uni-aire.com

Domestic Sale : localsale@uni-aire.com

# AIR COOLED CONDENSING UNIT

## STANDARD ACCESSORIES

### REFRIGERATION PARTS

- SERVICE & SHUT OFF VALVES
- CHECK VALVES (FOR PARALLEL COMPRESSORS ONLY)

### ELECTRICAL PARTS

- MAGNETIC CONTACTOR W/OVERLOAD FOR FAN MOTOR
- MAGNETIC CONTACTOR W/OVERLOAD FOR MOTOR COMPRESSOR
- TIME DELAY RELAY DEVICES
- HIGH-LOW PRESSURE SWITCH



ISO 9001  
ISO 14001  
ISO 45001  
ISO 14064-1



ISO/IEC17025



TIS. 2134  
TIS.1529



TIS 17025



THAILAND  
TRUSTED QUALITY



THS.8001



Made in Thailand



Green Industry



PRIME MINISTER'S AWARD

### UNIAIRE CORPORATION CO., LTD.

69 Moo 3 Kingkeaw Rd., Rachatewa District,  
Bangplee, Samutprakarn 10540 Thailand

Tel : +662-312-4500, Website : [www.uni-aire.com](http://www.uni-aire.com)

Export Sale : [export@uni-aire.com](mailto:export@uni-aire.com)

Domestic Sale : [localsale@uni-aire.com](mailto:localsale@uni-aire.com)

