

# MODEL AHE-H / AFQ

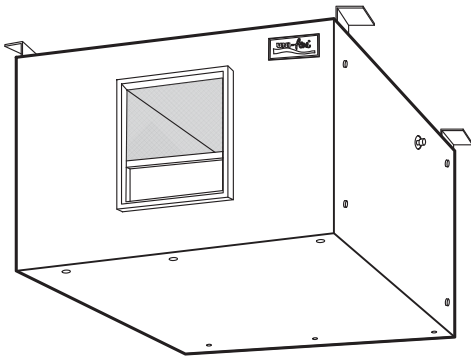
**LOW STATIC ( 75 Pa External Static )**

**FOR DIRECT EXPANSION SYSTEM**

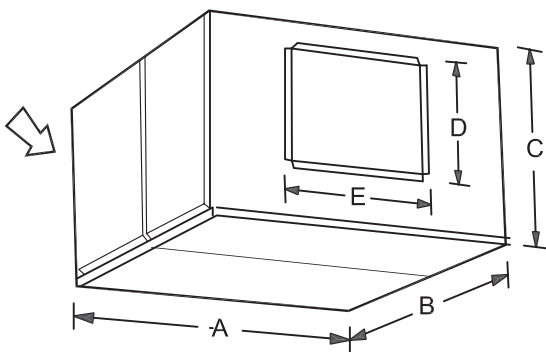
**DUCTED TYPE**

**CAPACITY FROM**

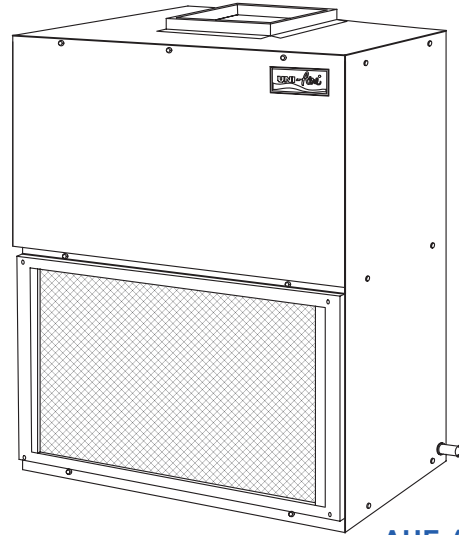
**30,000 TO 60,000 BTUH**



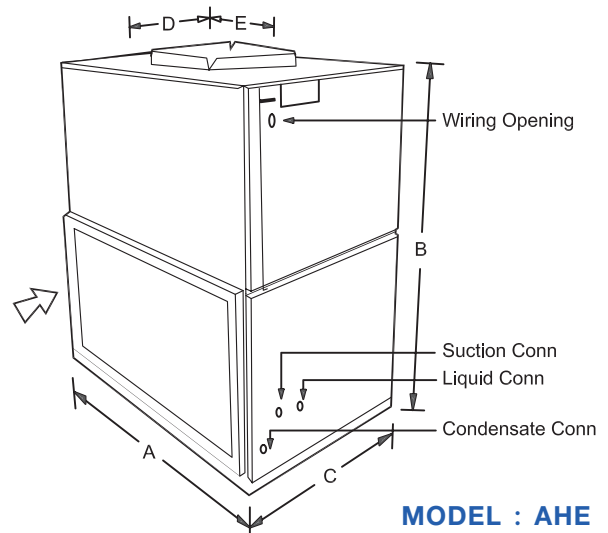
**AHEH (Horizontal)**



**MODEL : AHEH**



**AHE (Vertical)**



**MODEL : AHE**

MODEL	A	B	C	D	E	Kgs.
AHE-30F	740	917	478	277	260	52
AHE-36F	740	917	478	277	260	54
AHE-40F	924	917	478	277	316	75
AHE-50F	924	917	478	277	316	77
AHE-60F	924	917	478	277	316	78
AHEH-30F	740	938	478	277	260	52
AHEH-36F	740	938	478	277	260	54
AHEH-40F	924	938	478	277	316	75
AHEH-50F	924	938	478	277	316	77
AHEH-60F	924	938	478	277	316	78

**DIMENSION (mm.)**



**Air Conditioning Experts**

**(Recommend : Do not use long duct)**



Digital wired thermostat (Option)



Wired digital remote controller WiFi (Option)



Wireless digital thermostat (Option)



**Auto Restart**  
Air conditioning system turns on automatically after electricity supply returns from a power failure. the system also memorizes every setting before the outage.



**3 Minute Time Delay**  
Prevent damage to the compressor from voltage sag or power failure.



**2 Speed Motor** 2 speeds adjustable wind blow High-Low For Turbo cool or Quiet cool.



**Turbo Fan** Powerful turbo motor delivers cooling effect to the room quickly yet quietly.

PHYSICAL DATA & ELECTRICAL DATA

SPECIFICATION MODEL : AHE, AHEH / AFQ

Nominal Cooling Capacity (BTU/Hr)	30,000	36,000	36,000	40,000	50,000	60,000
Power Supply (Volt/Phase/Hz)	220/1/50			380/3/50		
TIS Standard					-	-
TIS Standard						

SPECIFICATION MODEL : AHE

SEER (BTU/Hr / Watt)	11.02	11.09	11.09	11.09	11.60	11.16
COP (Watt / Watt)	3.04	3.06	3.06	3.06	3.20	3.08
Power Consumption (Watt)	2,829	3,464	3,464	3,856	4,685	5,715
Rated Operation Current (Amp.)	12.30	14.48	5.78	6.12	8.05	10.12

SPECIFICATION MODEL : AHEH

SEER (BTU/Hr / Watt)	11.09	11.05	11.02	11.09	11.60	11.16
COP (Watt / Watt)	3.06	3.05	3.04	3.06	3.20	3.08
Power Consumption (Watt)	2,810	3,475	3,487	3,856	4,685	5,715
Rated Operation Current (Amp.)	12.30	14.48	5.78	6.12	8.05	10.12

Fan Coil Unit	Model : AHE, AHEH	AHE, AHEH-30F	AHE, AHEH36F	AHE, AHEH36F	AHE, AHEH40F	AHE, AHEH50F	AHE, AHEH60F
	Type	Ducted Type					
Rated Air Flow at High Speed (CFM)		1,000	1,200	1,200	1,400	1,600	2,000
Fan Type		Centrifugal (Direct Drive)					
Evaporator Coil Type		Aluminium Louver Fin with Inner Grooved Copper Tube					
Expansion Device Type		Capillary Tube					
Control Type		Option					
Air Filter Type		Aluminium Filter					
Drain Connection (Inch)(OD)		3/4					
AHE : Dimension (W x D x H) (mm.)		740 x 917 x 478			924 x 917x 478	924 x 917 x 478	
AHE : Weight (kgs.)		52	54		75	77	78
AHEH : Dimension (W x D x H) (mm.)		740 x 938 x 478			924 x 938x 478	924 x 938 x 478	
AHEH : Weight (kgs.)		52	54		75	77	78
Condensing Unit	Model : AFQ	AFQ-301FB	AFQ-361FB	AFQ-363FB	AFQ-403FB	AFQ-503FX	AFQ-603FX
	Type	Horizontal Air Flow					
Fan Type		Propeller Fan					
Condenser Coil Type		Aluminium Louver Fin with Inner Grooved Copper tube					
Compressor Type		Rotary				Scroll	
Refrigerant Type		R-32 (Holding Charge)					
Pipe Connection	Suction Line (Inch)(OD)	3/4					
	Liquid Line (Inch)(OD)	3/8			1/2		
Dimension (W x D x H) (mm.)		944 x 380 x 784			944 x 380 x 1,140		
Weight (kgs.)		65	71		88	92	102

Cooling capacity based on 27 °C DB, 19 °C WB air on evaporator coil and 35 °C DB air on condenser. Specifications are subjected to change without notice for future improvement.



ISO 9001  
ISO 14001  
ISO 45001  
ISO 14064-1



**UNIARE CORPORATION CO., LTD.**

69 Moo 3 Kingkeaw Rd., Rachatewa District, Bangplee, Samutprakarn 10540 Thailand  
Tel : +662-312-4500, Website : www.uni-aire.com  
Export Sale : export@uni-aire.com  
Domestic Sale : localsale@uni-aire.com

