

MODEL STA

CONDENSER

Shell & Tube Water cooled condenser

5 - 150 TR

FEATURES

- Compact Design
- High Efficiency Heat Transfer
- Quiet and Vibration Free Operation
- R-22
- Removable Head with Thru Tube Clean ability
- Capacity 5 through 150 tons from Factory Fast Delivery Assured



CONSTRUCTION SPEC.

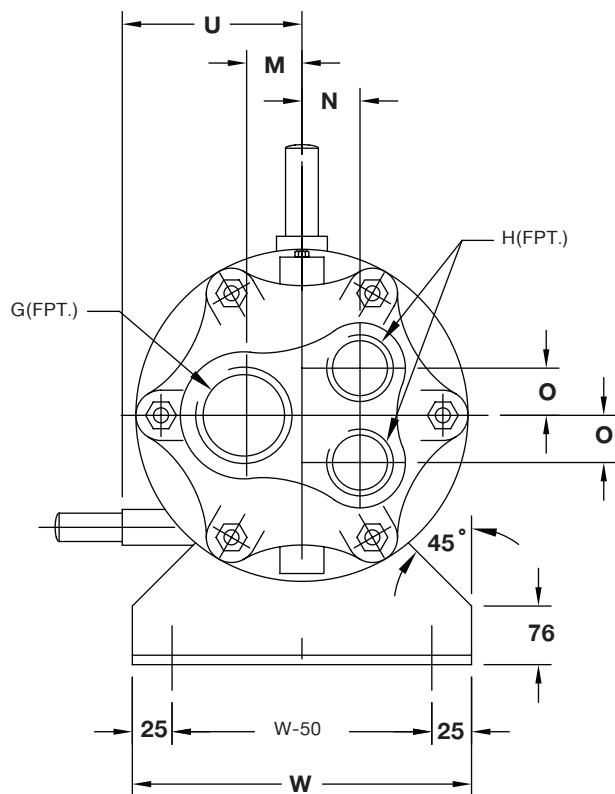
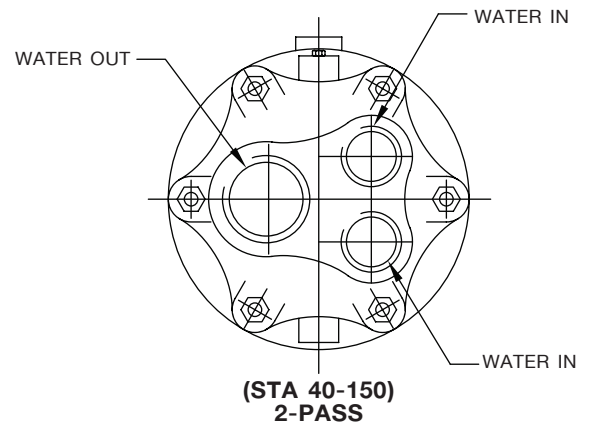
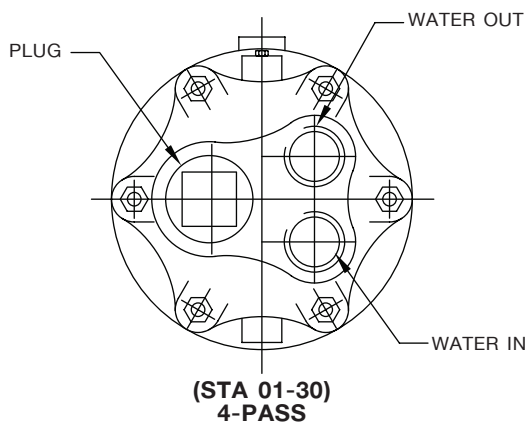
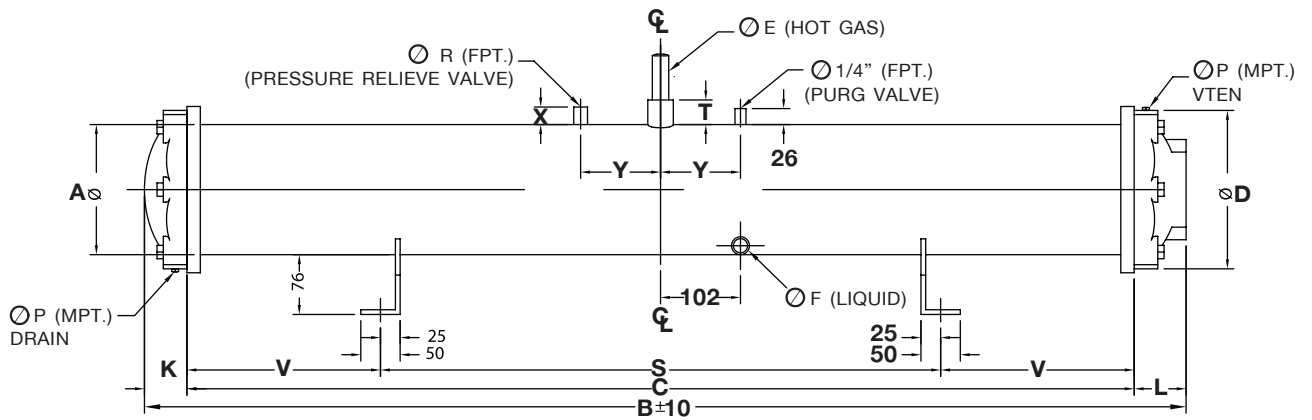
UNI-AIRE "STA" Cleanable Water Cooled Condensers are heavy duty high efficiency condensers and specially designed to simplify the mechanical cleaning necessary in area where poor water conditions exist. The new integral-fin tubing with optimum tube sheet design provides maximum heat transfer in a compact size.

- | | |
|------------------|--|
| Shell | - Steel pipe shell, mechanically clean before construction. |
| Tubes | - The tubing is integral Low-fin tube, rolled into heavy fixed tube sheet. |
| Tube Sheet | - The tube sheets are flanged quality carbon steel, drilled with precise drilling equipment |
| Teads | - Cast-iron water heads with integral baffled circuiting are designed for easy removal and periodic cleaning. |
| Working Pressure | - Shell side, 325 PSI; Tube side, 125 PSI; Test pressure 1.25 times the design working pressure |
| Finish | - All exterior surfaces are painted with quality enamel. |
| Purge Valve | - The purge valve is installed as standard. |
| Accessories | - Saddle Brackets, Liquid Valve (flange joint) and Pressure Relief Valve (350 PSIG. Factory set) could be furnished as optional |
| Optional | - Sea water Application (90-10 / CU-NI, Tubes surrounded by steel outer tube (Shell)).
For more detail, Please contacted sales. |



Air Conditioning Experts

DIMENSIONAL DRAWINGS



MODEL	INVT.CODE	A (NOR.)	B	C	D	E	F	G
STA-05	6-004-MAD	5"	1,339	1,219	186	1-1/8"	5/8"	1-1/2"
STA-08	6-004-MAE	5"	1,339	1,219	186	1-1/8"	5/8"	1-1/2"
STA-10	6-004-MAF	6"	1,339	1,219	204	1-3/8"	7/8"	2"
STA-15	6-004-MAG	8"	1,339	1,219	262	1-3/8"	1-1/8"	2"
STA-20	6-004-MAH	8"	1,339	1,219	262	1-3/8"	1-1/8"	2"
STA-25	6-004-MAI	10"	1,372	1,219	318	1-5/8"	1-3/8"	3"
STA-30	6-004-MAJ	10"	1,372	1,219	318	1-5/8"	1-3/8"	3"
STA-40	6-004-MAK	10"	1,982	1,829	318	2-1/8"	1-3/8"	3"
STA-50	6-004-MAL	10"	1,982	1,829	318	2-1/8"	1-3/8"	3"
STA-60	6-004-MAM	12"	1,984	1,829	381	2-5/8"	1-5/8"	4"
STA-75	6-004-MAN	12"	1,984	1,829	381	2-5/8"	1-5/8"	4"
STA-90	6-004-MAO	14"	2,010	1,829	394	2-5/8"	1-5/8"	4"
STA-105	6-004-MAP	12"	3,203	3,048	381	3-1/8"	2-1/8"	4"
STA-120	6-004-MAQ	12"	3,203	3,048	381	3-1/8"	2-1/8"	4"
STA-135	6-004-MAR	14"	3,229	3,048	394	3-5/8"	2-5/8"	4"
STA-150	6-004-MAS	14"	3,229	3,048	394	3-5/8"	2-5/8"	4"

MODEL	INVT.CODE	H	K	L	M	N	O	P	R
STA-05	6-004-MAD	1"	54	66	32	32	26	1/8"	1/4"
STA-08	6-004-MAE	1"	54	66	32	32	26	1/8"	1/4"
STA-10	6-004-MAF	1-1/2"	54	66	32	32	28	1/8"	1/4"
STA-15	6-004-MAG	1-1/2"	54	66	48	48	41	1/4"	3/8"
STA-20	6-004-MAH	1-1/2"	54	66	48	48	41	1/4"	3/8"
STA-25	6-004-MAI	2-1/2"	67	86	54	54	51	1/4"	1/2"
STA-30	6-004-MAJ	2-1/2"	67	86	54	54	51	1/4"	1/2"
STA-40	6-004-MAK	2-1/2"	67	86	54	54	51	1/4"	1/2"
STA-50	6-004-MAL	2-1/2"	67	86	54	54	51	1/4"	1/2"
STA-60	6-004-MAM	3"	60	95	73	57	57	1/4"	3/4"
STA-75	6-004-MAN	3"	60	95	73	57	57	1/4"	3/4"
STA-90	6-004-MAO	3"	73	108	95	63	89	1/4"	3/4"
STA-105	6-004-MAP	3"	60	95	73	57	57	1/4"	1"
STA-120	6-004-MAQ	3"	60	95	73	57	57	1/4"	1"
STA-135	6-004-MAR	3"	73	108	95	63	89	1/4"	1"
STA-150	6-004-MAS	3"	73	108	95	63	89	1/4"	1"

MODEL	INVT.CODE	S	T	U	V	W	X	Y	HOLES
STA-05	6-004-MAD	711	38	64	254	191	26	102	11
STA-08	6-004-MAE	711	38	64	254	191	26	102	15
STA-10	6-004-MAF	711	38	76	254	216	26	102	20
STA-15	6-004-MAG	711	38	102	254	267	30	102	30
STA-20	6-004-MAH	711	38	102	254	267	30	102	40
STA-25	6-004-MAI	711	38	127	254	318	40	102	50
STA-30	6-004-MAJ	711	38	127	254	318	40	102	60
STA-40	6-004-MAK	1,321	38	127	254	318	40	102	60
STA-50	6-004-MAL	1,321	38	127	254	318	40	102	68
STA-60	6-004-MAM	1,321	51	152	254	368	45	150	90
STA-75	6-004-MAN	1,321	51	152	254	368	45	150	110
STA-90	6-004-MAO	1,321	51	178	254	419	45	150	134
STA-105	6-004-MAP	2,286	64	152	381	368	45	150	90
STA-120	6-004-MAQ	2,286	64	152	381	368	45	150	110
STA-135	6-004-MAR	2,286	64	178	381	419	45	150	134
STA-150	6-004-MAS	2,286	64	178	381	419	45	150	142

NOMINAL CAPACITIES AND PERFORMANCE DATA

SPECIFICATION MODEL : STA								
MODEL	SHELL DIA.	TUBE LENGTH	HEAT REJCT (4)	WATER PRESSURE DROP			APPROX. MIN.OPER. CHARGW	WEIGHT OPERATION
			(1) E.W.T 90 °F; (2) C.T. 110 °F					
	R-22	FLOW	No.of	P.D	R-22			
	Inch	mm.	TONS	USGPM	PASSES	PSIG	Kg.	Kg.
STA-05	5	1,219	5.00	15	4	6.50	2.7	60
STA-08	5	1,219	7.01	23	4	7.80	3.0	65
STA-10	6	1,219	9.31	30	4	7.80	3.2	85
STA-15	8	1,219	13.85	45	4	7.80	3.5	135
STA-20	8	1,219	18.47	60	4	7.80	4.4	145
STA-25	10	1,219	22.92	75	4	7.80	5.7	205
STA-30	10	1,219	31.11	90	4	7.80	7.6.	215
STA-40	10	1,829	37.50	120	2	2.45	11.1	295
STA-50	10	1,829	45.49	150	2	2.94	11.3	310
STA-60	12	1,829	54.17	180	2	2.46	15.0	435
STA-75	12	1,829	68.06	225	2	2.56	15.6	470
STA-90	14	1,829	79.86	270	2	2.49	19.1	550
STA-105	12	3,048	106.81	315	2	8.90	26.1	650
STA-120	12	3,048	121.88	340	2	7.10	26.3	710
STA-135	14	3,018	147.22	405	2	6.80	32.7	840
STA-150	14	3,048	158.33	450	2	7.45	32.7	860

NOTE :

- 1) E.W.T. : Entering Water Temperature
- 2) C.T. : Condensing Temperature
- 3) Fouling Factor 0.0005 Ft² H F/BTU in Condenser
- 4) Heat reject : One Ton equals to 14,400 BTUH
- 5) Specifications are subjected to charge without notice for fure improvement.



UNIAIRE CORPORATION CO., LTD.
 69 Moo 3 Kingkeaw Rd., Rachatewa District,
 Bangplee, Samutprakarn 10540 Thailand
 Tel : +662-312-4500, Website : www.uni-aire.com
 Export Sale : export@uni-aire.com
 Domestic Sale : localsale@uni-aire.com