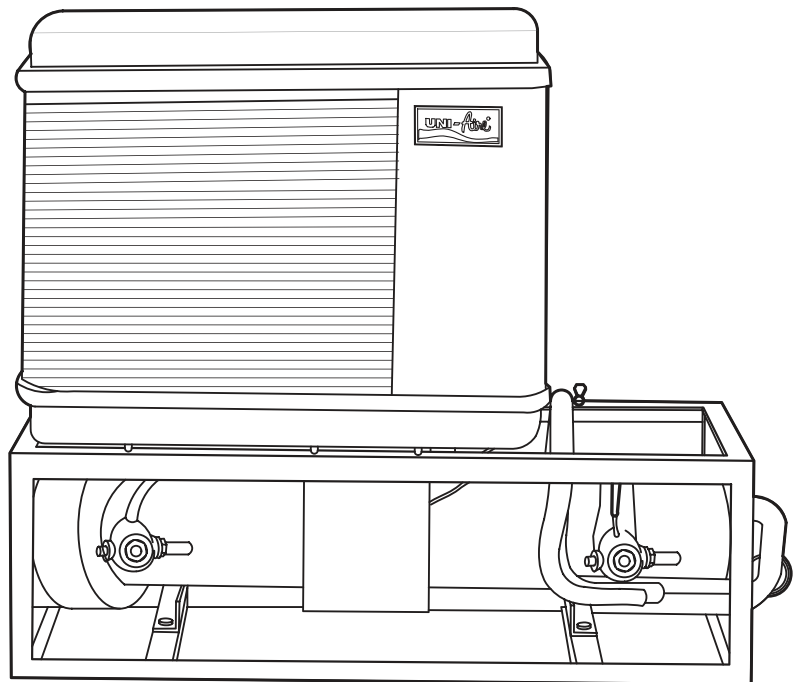


# MODEL ACK-CHB/WCU-CHB

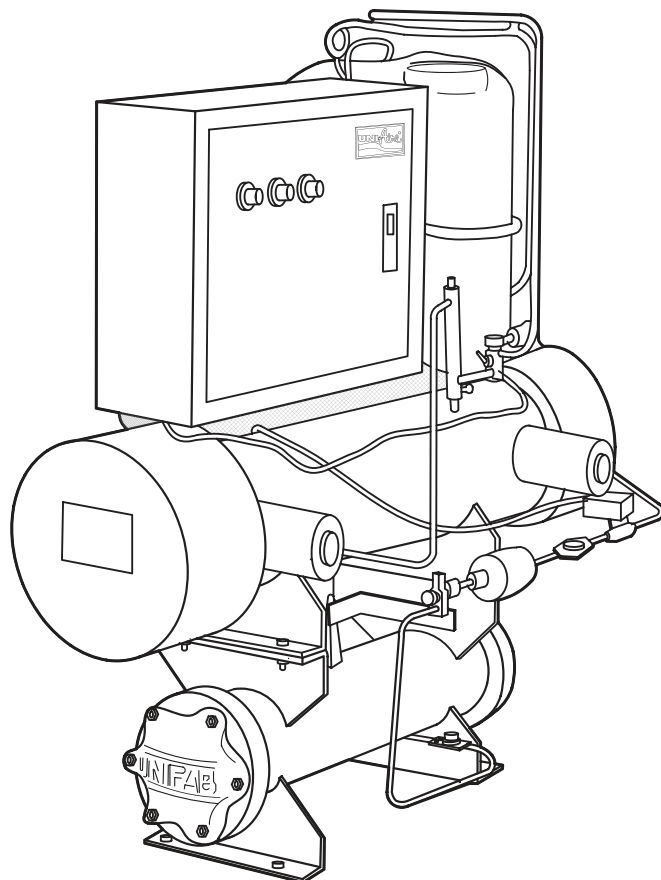
## PACKAGED AIR COOLED CHILLER

2.0-4.5 TR

7.0-16 kw



**MODEL ACK-CHB**



**MODEL WCU-CHB**

**UNI-Aire<sup>®</sup>**

Air Conditioning Experts

WB-32-00/0603

SPECIFICATION MODEL : ACK-CHB							
MODEL		ACK-CHB-25	ACK-CHB-30	ACK-CHB-36	ACK-CHB-50	ACK-CHB-60	
NOMINAL COOLING CAPACITY* MBH ▲		22.68	26.77	32.90	45.50	54.40	
COMPRESSOR	Type	ROTARY	SCROLL				
	HP.	2½		3	4½	6	
	Qty./Unit	1					
CONDENSER COIL	Type/Material	ALUMINIUM LOUVER SLIT FIN WITH INNERGROOVE COPPER TUBE					
	Face area (Sq...Ft.)	6.72	8.96		10.75		
	Rows....Fins/in	1.73/12	1.0/12	1.6/12	1.67/12	2.0/12	
	Tube Size (in)	3/8"					
COMPRESSOR FAN	F A N	Type	PROPELLER FAN : VERTICAL DISCHARGE : DIRECT DRIVE				
		Diameter (in)	18"				
	M O T O R	Each Motor (HP.)	1/12	1/6		1/3	
		Rpm.	780	900		1,200	
	Qty./Unit	1					
REFRIGRANT	Type	R-22					
	Charge	HOLDING					
WATER CHILLER							
No. Of Circuits		1					
Chilled Water Flow Rate	(GPM)	4.54	5.35	6.46	9.10	10.88	
Chilled Water Temp. In/Out	(°F)	55/45					
Chilled Water Pressure Drop	(Ft.WG)	1.52	1.02	1.34	2.26	3.32	
Water Connection In/Out	(in)	¾			1		
COMPRESSOR (Each)	V/PH/HZ	220/1/50		220/1/50	380/3/50	380/3/50	
	RLA. (Amp.)	14.3	16.4	17.1	7.1	8.9	10
	LRA. (Amp.)	55	82	97	46	65.5	74
FAN MOTOR (Each)	V/PH/HZ	220/1/50					
	RLA. (Amp.)	0.5	0.89		1.82		
WEIGHT	Operation (Kgs.)	148	160	165	210	216	

Note : -

RLA = Rated Load Amp.

LRA = Locked Rotor Amp.

▲ MBH = 1,000 BTUH

\* Nominal Cooling Capacity Based on 38°F Suction Temp. and 95°F Ambient Temp

Fouling Factor 0.0005 Ft<sup>2</sup> .h.F/BTU in Chiller

FOR SI. UNIT, COOLING CAPACITY (KW) =  $\frac{MBH \times 1000}{3412}$

3412

#### STANDARD ACCESSORIES

##### REFRIGERATION PARTS

- THERMOSTATIC EXPANSION VALVE
- SIGHT GLASS
- FILTER DRIER
- SERVICE AND SHUT OFF VALVES

##### ELECTRICAL PARTS

- MAGNETIC CONTACTOR FOR MOTOR COMPRESSOR (220/1/50)
- MAGNETIC CONTACTOR W/OVERLOAD FOR MOTOR COMPRESSOR (380/3/50)
- HIGH-LOW PRESSURE SWITCHES (ONLY ACK-CHB-50 TO 60)
- TEMPERATURE CONTROL
- FREEZESTAT

SPECIFICATION MODEL : WCU-CHB							
MODEL		WCU-CHB-002	WCU-CHB-003	WCU-CHB-004	WCU-CHB-005	WCU-CHB-006	
<b>NOMINAL COOLING CAPACITY*</b> MBH ▲		24.73	29.16	35.42	49.58	59.2	
<b>NO. OF CIRCUITS</b>		1 CIRCUIT					
<b>COMPRESSOR</b>	Type	ROTARY	SCROLL				
	HP.	2½		3	4½	6	
	Qty./Unit	1					
<b>WATER COOLED CONDENSER</b>							
Water Flow Rate	(GPM)	6.4	7.8	9.6	12.5	17	
Entering Water Temp.	(°F)	90					
Leaving Water Temp.	(°F)	100					
Water Passes Drop	(Ft.WG)	8	8.5	9.3	10.8	19	
No. of Water Passes		4					
Water Connection In/Out	(in)	1/1					
Qty./Unit		1					
<b>WATER CHILLER</b>							
<b>No. Of Circuits</b>		1					
Chilled Water Flow Rate	(GPM)	4.95	5.83	7.08	9.92	11.84	
Chilled Water Temp. In/Out	(°F)	55/45					
Chilled Water Pressure Drop	(Ft.WG)	1.82	1.20	1.61	2.77	3.94	
Water Connection In/Out	(in)	¾			1		
Qty./Unit		1					
<b>REFRIGRANT</b>	Type	R-22					
	Charge	HOLDING					
<b>COMPRESSOR (Each)</b>	V/PH/HZ	220/1/50		220/1/50	380/3/50	380/3/50	
	RLA. (Amp.)	8.8	16.4	19.3	7.2	8.9	10
	LRA. (Amp.)	47	82	82	48	65.5	74
<b>WEIGHT</b>	Operation (Kgs.)	120	140	145	170	175	

Note : -

RLA = Rated Load Amp.

LRA = Locked Rotor Amp.

MBH = 1,000 BTUH

Nominal Cooling Capacity Based on 38°F Suction Temp. and 90°F Entering Water Temp

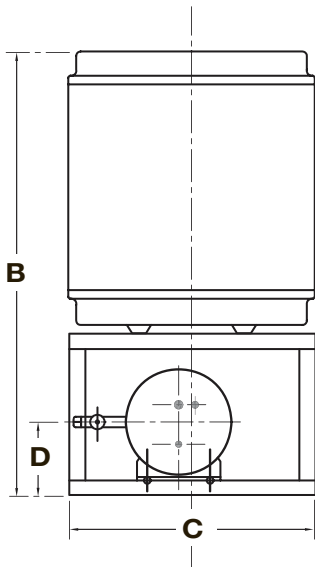
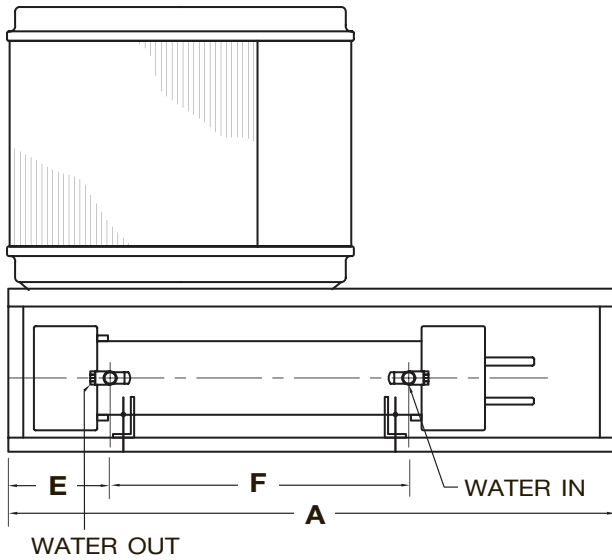
Fouling Factor 0.0005 Ft<sup>2</sup> .h.F/BTU in Chiller and Condenser

STANDARD ACCESSORIES : THE SAME AS ACK-CHB-XXX

SPECIFICATIONS SUBJECT TO CHANGE WITHOUT NOTICE

# DIMENSIONAL DRAWINGS

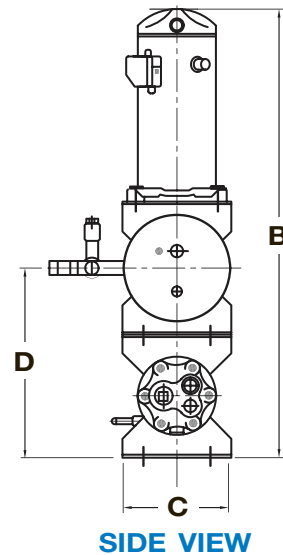
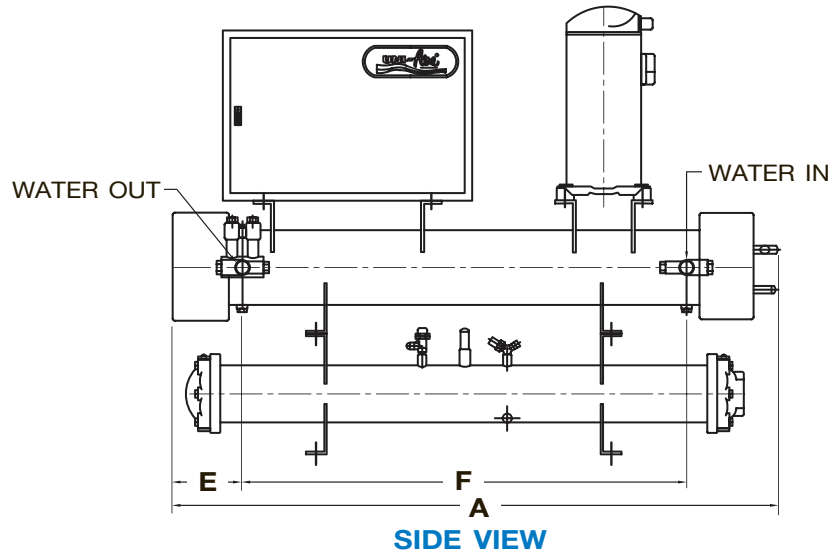
## PACKAGED AIR COOLED CHILLER



MODEL	DIMENSIONAL MODEL : ACK-CHB					
	A	B	C	D	E	F
ACK-CHB-25	1,475	940	594	171	227	764
ACK-CHB-30	1,475	1,019	594	184	227	764
ACK-CHB-36						
ACK-CHB-50	1,742	1,168	594	184	227	1,069
ACK-CHB-60						

# DIMENSIONAL DRAWINGS

## PACKAGED WATER COOLED CHILLER



MODEL	DIMENSIONAL MODEL : WCU-CHB					
	A	B	C	D	E	F
WCU-CHB-002	1,326	892	229	399	167	764
WCU-CHB-003	1,326	968	254	438	167	764
WCU-CHB-004						
WCU-CHB-005	1,631	1,024	254	438	167	1,069
WCU-CHB-006						



ISO 9001  
ISO 14001  
ISO 45001  
ISO 14064-1



**UNIAIRE CORPORATION CO., LTD.**

69 Moo 3 Kingkeaw Rd., Rachatewa District,

Bangplee, Samutprakarn 10540 Thailand

Tel : +662-312-4500, Website : www.uni-aire.com

Export Sale : export@uni-aire.com

Domestic Sale : localsale@uni-aire.com