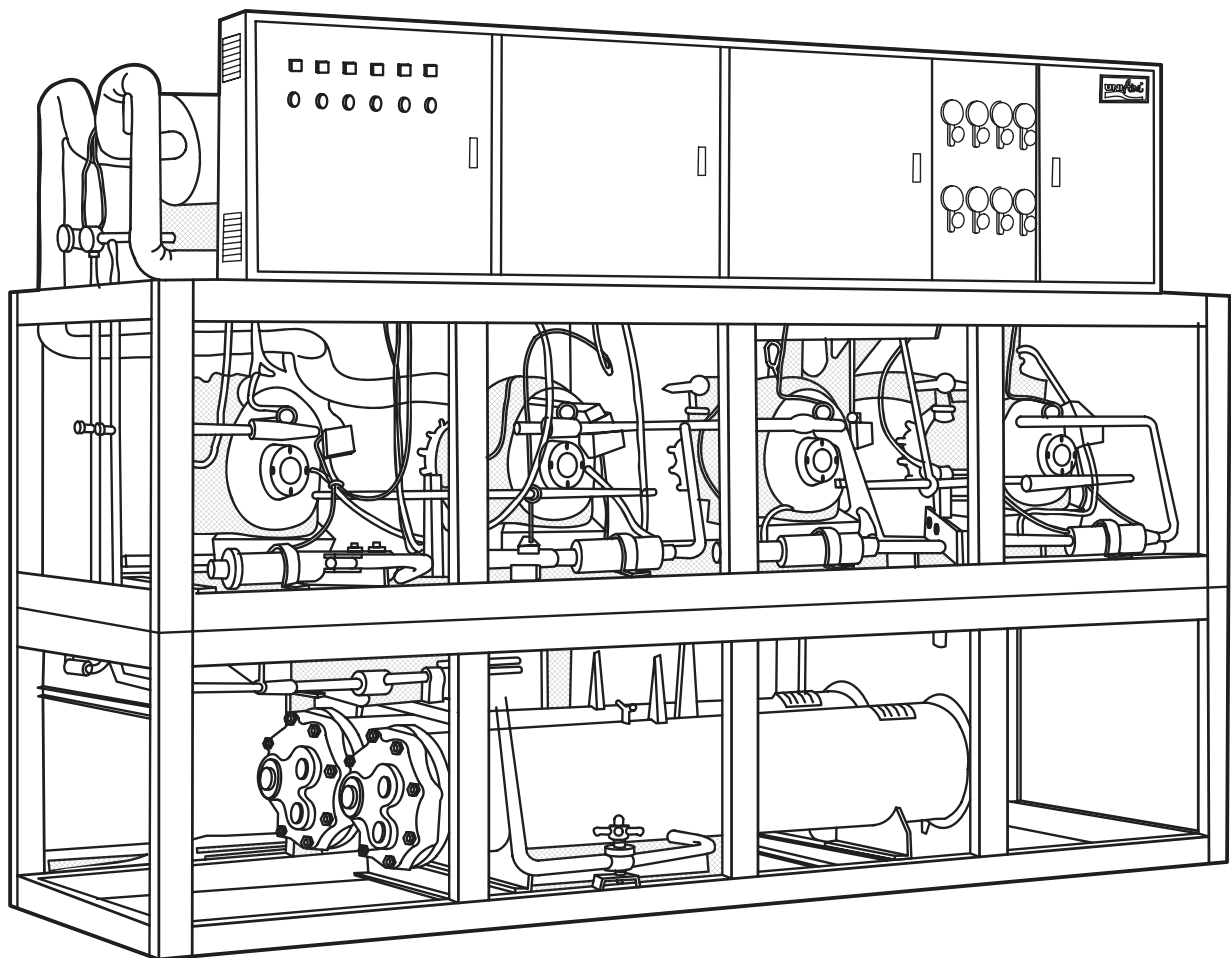


MODEL WCU-CHB (Large)

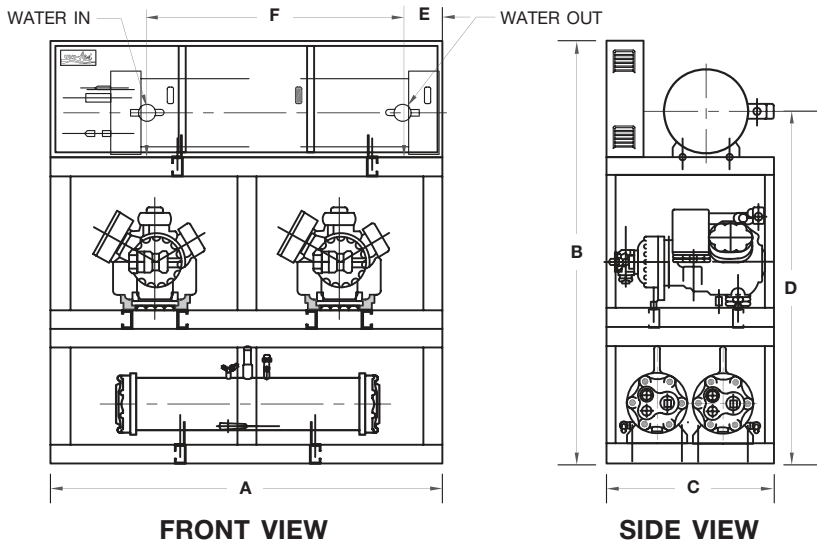
PACKAGED WATER COOLED CHILLER

45.7 - 197.1 TR

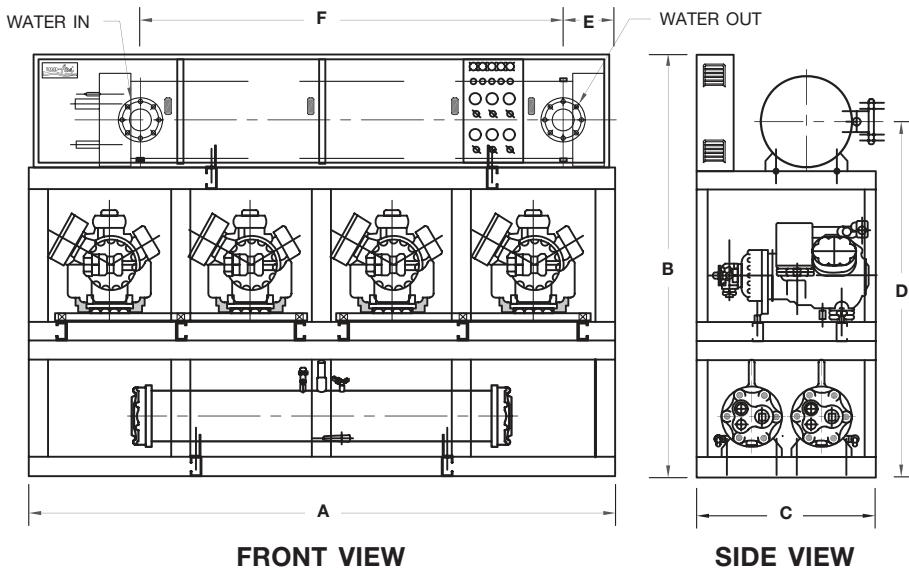
160.6 - 693 KW



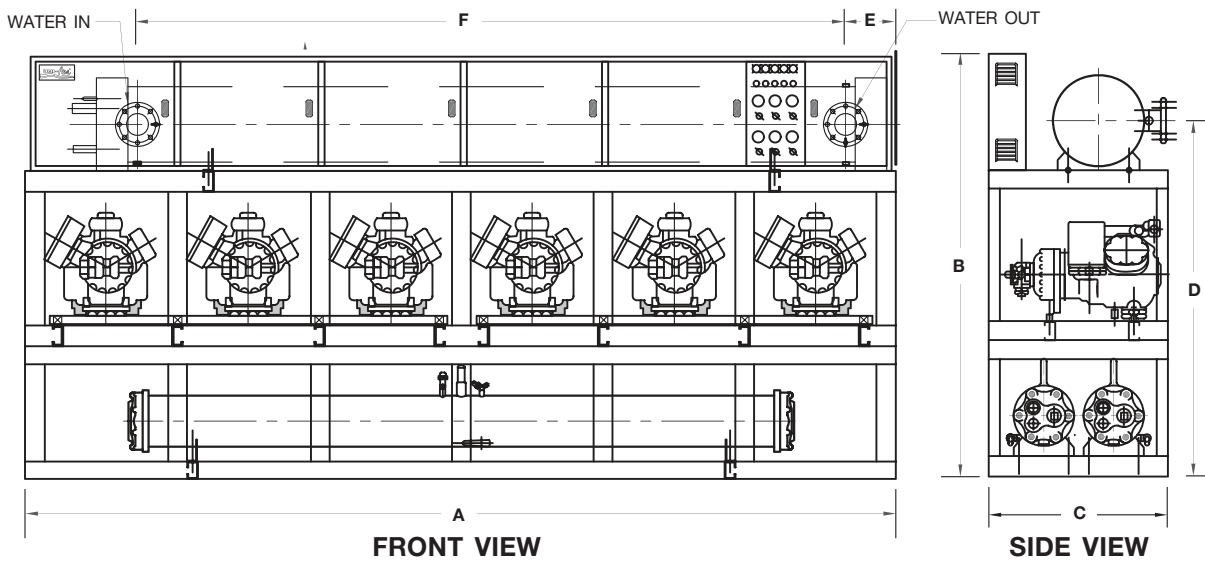
DIMENSIONAL DRAWINGS



MODEL	DIMENSION MODEL : WCU-CHB		
	050	060	070-080
A (mm.)	2,032	2,286	2,746
B (mm.)	2,121	2,121	2,121
C (mm.)	890	890	890
D (mm.)	1,746	1,746	1,746
E (mm.)	198	198	232
F (mm.)	1,334	1,601	2,032



MODEL	DIMENSION MODEL : WCU-CHB			
	100	120	140	160
A (mm.)	3,048	3,548		
B (mm.)	2,221	2,321		
C (mm.)	940	1,120		
D (mm.)	1,865	1,990		
E (mm.)	256	306		
F (mm.)	2,210	2,718		



MODEL	DIMENSION MODEL : WCU-CHB					
	A	B	C	D	E	F
180 (mm.)	4,522	2,361	1,200	2,266	1,054	2,016
200 (mm.)	4,522	2,361	1,100	2,266	902	2,016
240 (mm.)	4,522	2,361	1,100	2,266	927	2,092

PHYSICAL DATA & ELECTRICAL DATA

SPECIFICATION MODEL : WCU-CHB (Comp. SCREW)												
MODEL WCU-CHB (2 CIRCUITS)		050	060	070	080	100	120	140	160	180	210	240
Nominal Cooling capacity*	MBH	550	600	700	790	1,100	1,200	1,400	1,580	1,800	2,100	2,400
Power Consumption	kw	40.42	45.72	54.75	63.78	80.84	91.44	109.50	127.56	137.16	164.25	191.34
Compressor	Type	Semi-Hermetic										
	HP	25	30	30 : 40	40	25	30	30 : 40	40	30	30 : 40	40
	Qty./Unit	2		1 : 1	2	4		2 : 2	4	6	3 : 3	
Water Cooled Condenser												
Fouling Factor		0.0005 (0.000046) Ft ² .h.F./BTU (m ² .h.F./BTU)										
Water Flow Rate	GPM	146.7	160.0	186.7	210.7	293.3	320.0	373.3	421.3	480.0	560.0	640.0
Entering Water Temp.	°F	90										
Leaving Water Temp.	°F	100										
Water Pressure Drop	Ft.WG	13.0	16.6		6.0	10.5	8.0	6.5			8.5	6.5
No. of Water Passer		4	2									
Water Connection (In..Out)	inch	2-1/2		2-1/2..3			3..4					
Qty./Unit		2										
Water Chiller		FOULING FACTOR 0.00005 Ft . h. ² F. / BTU (0.000046 ² m .h.F/BTU)										
No. Of Circuits		2										
Chiller Water Flow Rate	GPM	110.0	120.0	140.0	158.0	220.0	240.0	280.0	316.0	360.0	420.0	480.0
Chiller Water Temp. In/Out	°F	55 / 45										
Chiller Water Pressure Drop	Ft.WG	3.66	2.72	4.64	5.69	8.59	4.83	5.83	6.89	7.57	11.13	8.69
Water Connection In/Out	in	3		4			5			6		
Qty./Unit		1										
Refrigerant	Type	R-22										
	Charge	Holding										
Compressor (Each)	V / PH / Hz	380 / 3 / 50										
	Power Input (Watt)	20.21	22.86	22.86:31.89	31.89	20.21	22.86	22.86:31.89	67.9	44.9	48.7:67.9	67.9
	RLA. (Amp.)	44.9	48.7	48.7:67.9	67.9	44.9	48.7	48.7:67.9	67.9	44.9	48.7:67.9	67.9
	LRA. (Amp.)	134	162	162:207	207	134	162	162:207	207	134	162:207	207
Weight Operation	Kgs.	1,389	1,470	1,704	1,758	2,284	2,658	2,857	3,071	3,473	3,783	4,287

MBH = 1,000 BTUH

* Nominal Cooling Capacity Bssed on 38 °F Suction Temp. and 95°F Entering Water Temp

Liquid Subcooled 15 °F

FOR SI. UNIT, COOLING CAPACITY (KW) = $\frac{MBH \times 1000}{3412}$

3412

PACKAGED WATER COOLED CHILLER STANDARD ACCESSORIES

REFRIGERATION PARTS

- THERMOSTATIC EXPANSION VALVES
- SOLENOID VALES
- SIGHT GLASSES
- FILTER DRIERS
- SERVICE & SHUT OFF VALVES
- CHECK VALVES FOR PARALLEL CIRCUIT COMPRESSORS

ELECTRICAL PARTS

- MAGNETIC CONTACTOR W/OVERLOAD FOR MOTOR COMPRESSOR
- TIMER DELAY RELAY DEVICES
- OIP PRESSURE SWITCH
- CRANKCASE HEATERS
- TEMPERATURE CONTROL DEVICE
- FREEZESTAT

REMARK

- TEMPERATURE CONTROL
- 2 STAGES FOR UNIT THAT HAS 2 COMPRESSORS
- 4 STAGES FOR UNIT THAT HAS 2 COMPRESSORS



ISO 9001
ISO 14001
ISO 45001
ISO 14064-1



ISO/IEC17025



TIS. 2134
TIS.1529



TIS 17025



THAILAND
TRUSTED QUALITY



TLS.8001



Made in Thailand



UNIAIRE CORPORATION CO., LTD.

69 Moo 3 Kingkeaw Rd., Rachatewa District,
Bangplee, Samutprakarn 10540 Thailand

Tel : +662-312-4500, Website : www.uni-aire.com

Export Sale : export@uni-aire.com

Domestic Sale : localsale@uni-aire.com

WCU-CHB (Large) | 20052011.Rev-01



PRIME MINISTER'S AWARD
• BEST THAI BRAND
• BEST EXPORTER
• GREEN INNOVATION