

MODEL TACU

AIR-COOLED CONDENSING UNIT

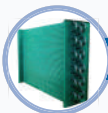
CAPACITY FROM 80,000 TO 800,000 BTUH



FEATURES

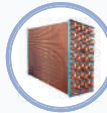
- Compact size and easy installation
- High efficiency hermetic scroll compressor
- Direct drive condenser fan
- High and low pressure switches for protection of valuable equipment (standard on all units)
- R-410a Refrigerant

Special fin type for anti corrosion purpose



Green guard coated on Condenser coils

Corrosion prevention caused by ocean vapor and chemicals which extends coil life span.



Copper fin condenser coil

Fin made from copper, extends life span of condenser coil. Suitable for seaside area and high acidic factory environment.

*Consulting Uni-Aire's sales engineer for possibility for each location is recommended.

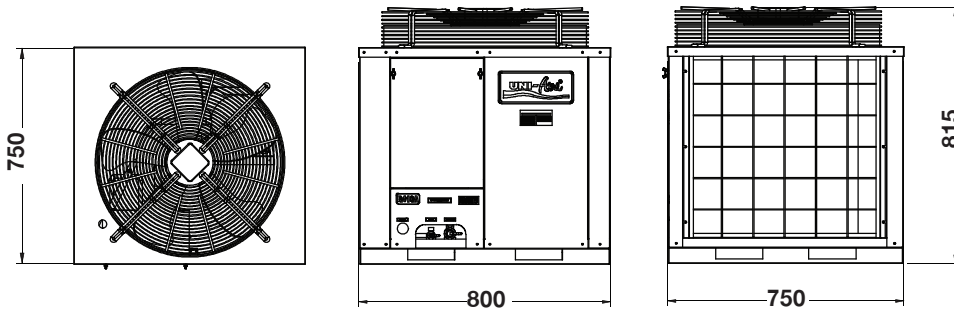
UNI-Aire[®]



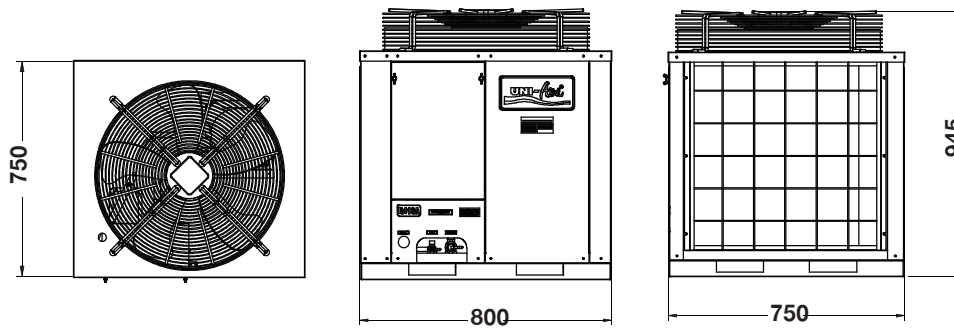
Air Conditioning Experts

DIMENSIONAL DRAWINGS CONDENSING UNIT MODEL : TACU

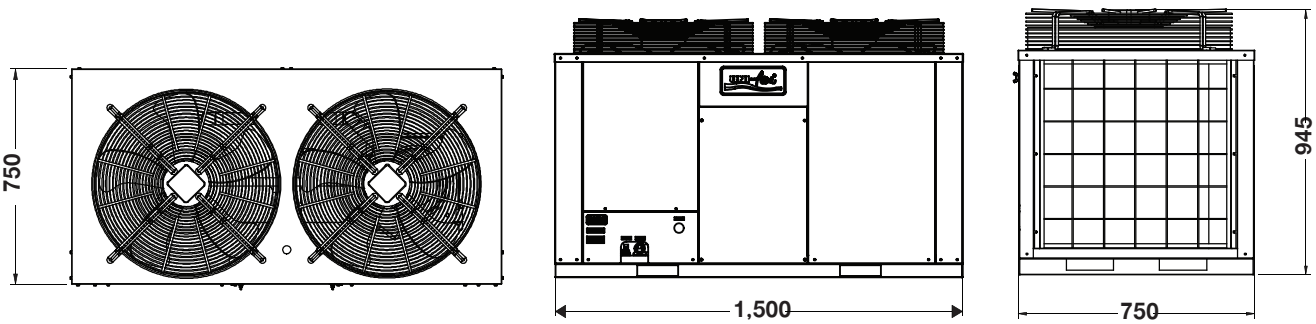
MODEL : TACU-008AE



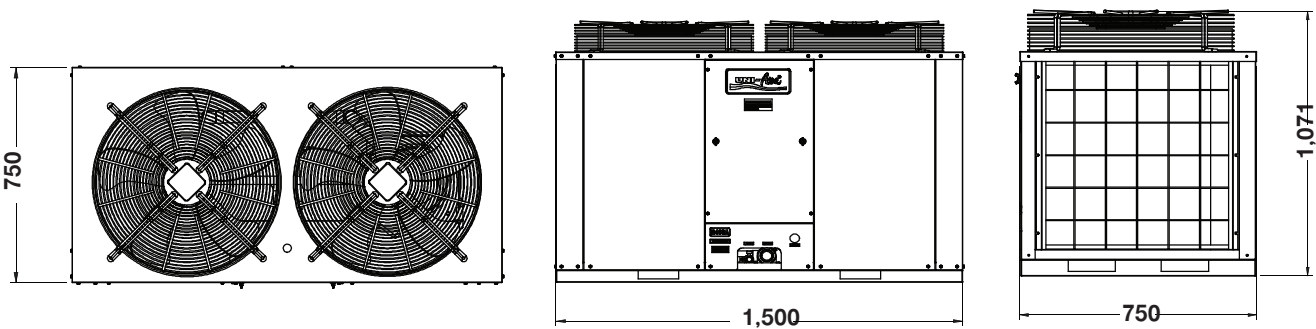
MODEL : TACU-009AS to TACU-010AS



MODEL : TACU-012AS to TACU-015AS



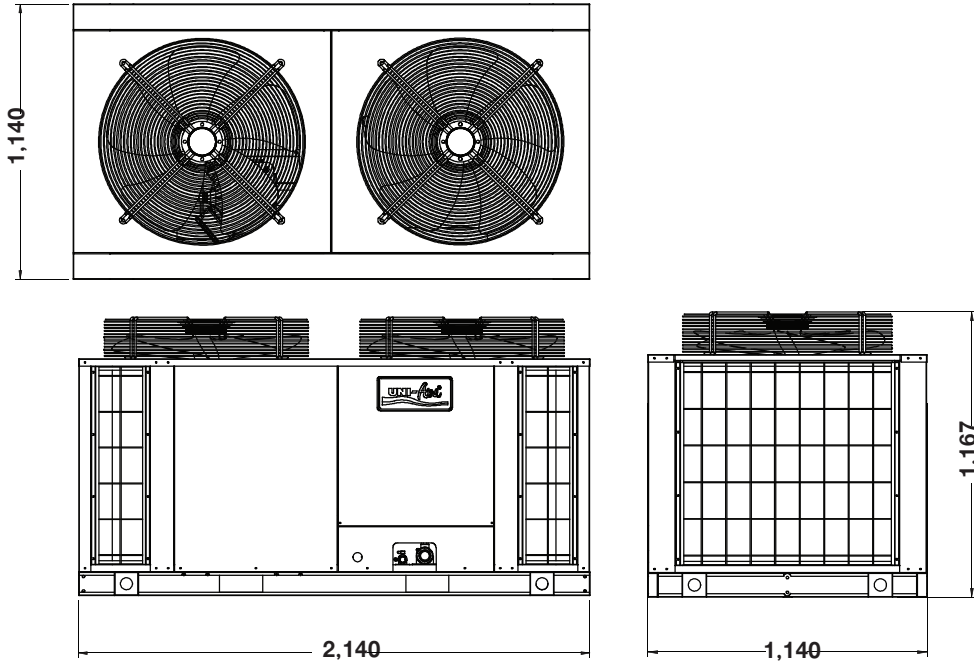
MODEL : TACU-020AS



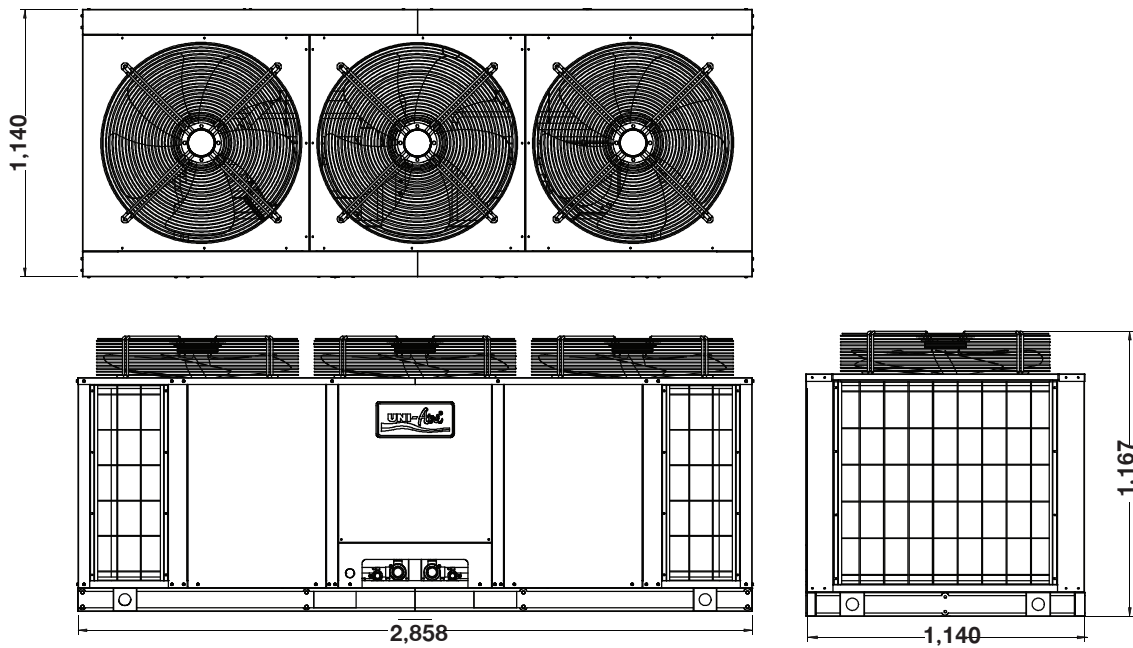
Unit : mm. (Millimeter)

DIMENSIONAL DRAWINGS CONDENSING UNIT MODEL : TACU

MODEL : TACU-025AS to TACU-030AS

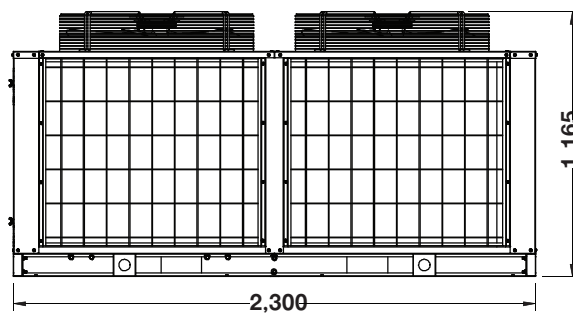
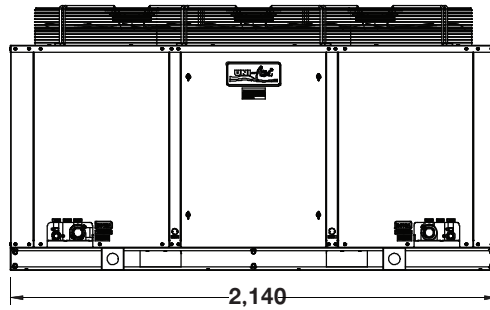
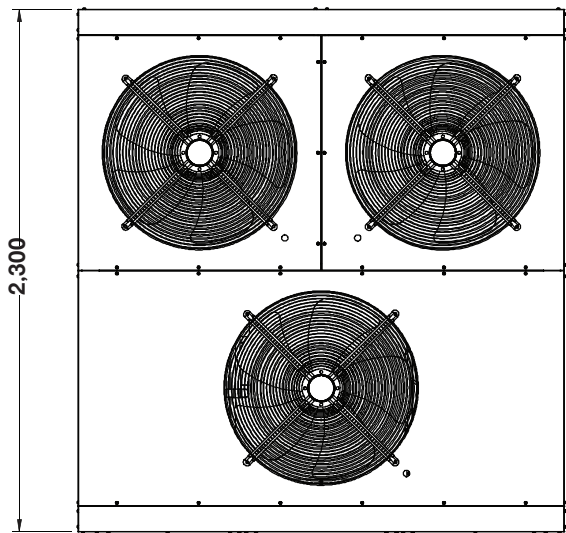


MODEL : TACU-040AS

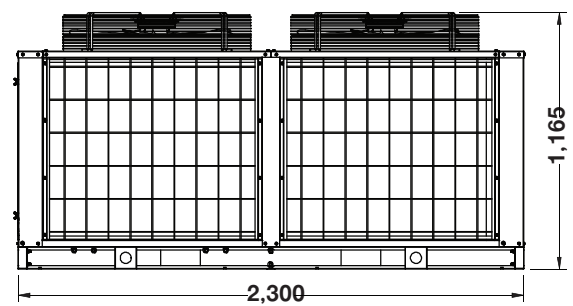
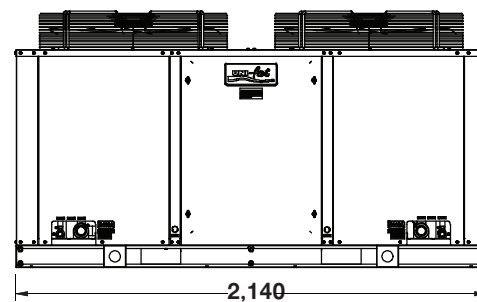
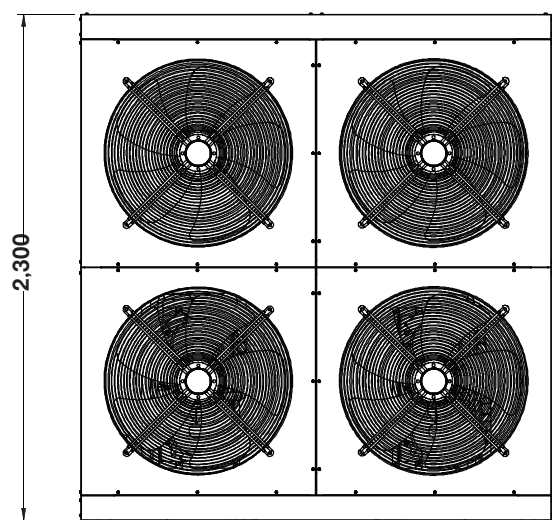


Unit : mm. (Millimeter)

MODEL : TACU-050A

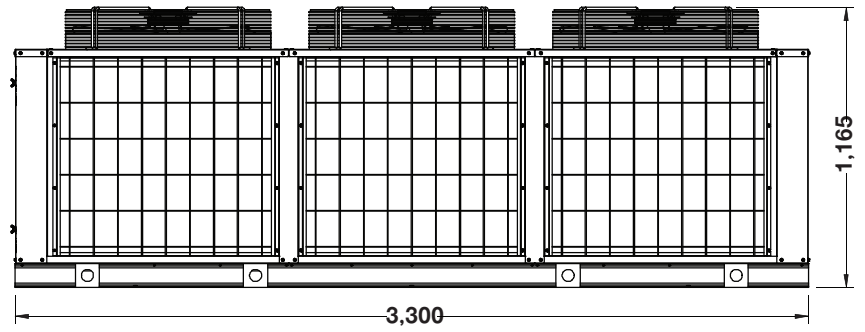
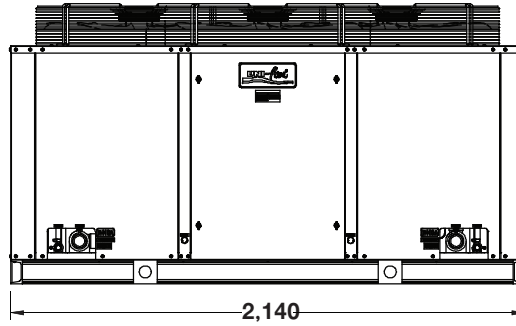
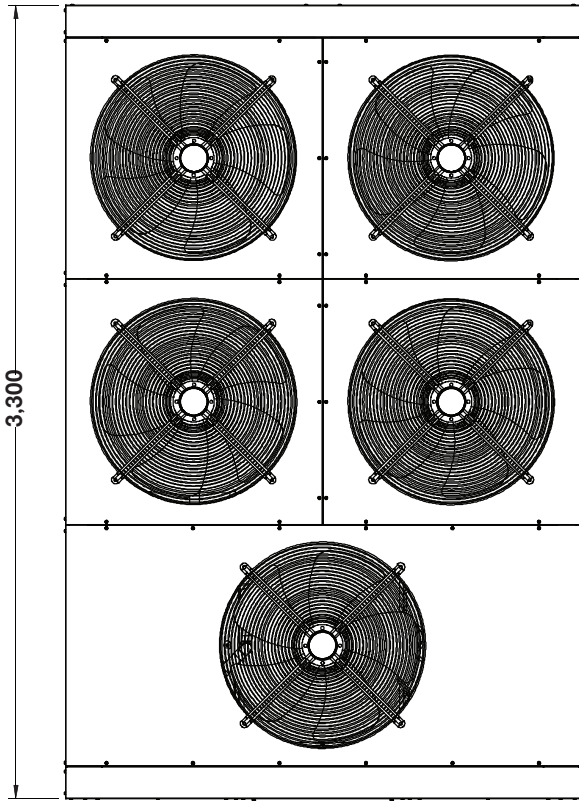


MODEL : TACU-060A

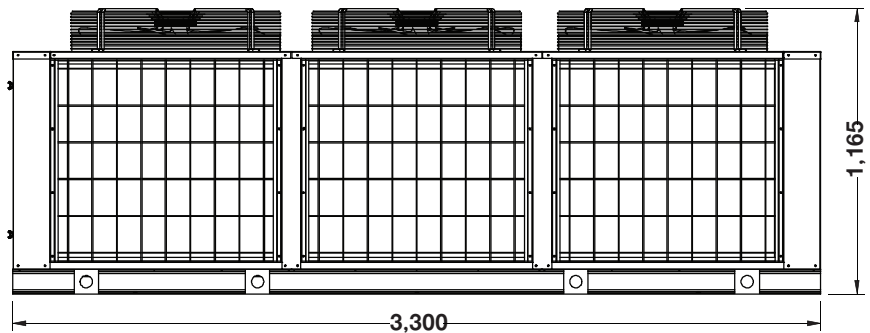
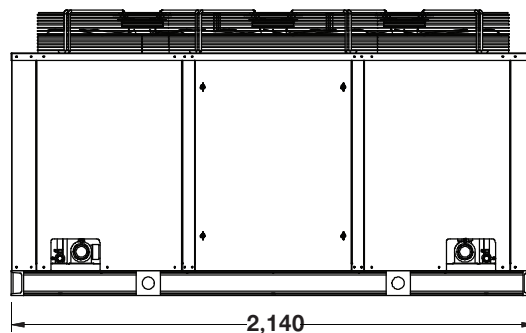
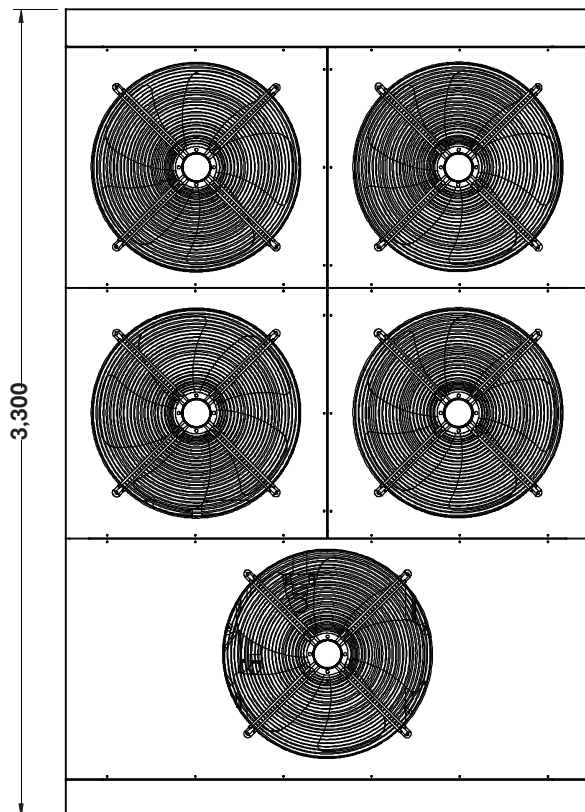


DIMENSIONAL DRAWINGS CONDENSING UNIT MODEL : TACU

MODEL : TACU-070A



MODEL : TACU-080A



Unit : mm. (Millimeter)

SPECIFICATIONS, STANDARD ACCESSORIES

UNIT CASING

- Constructed of zinc-coated heavy-gauge, Galvanized steel
- Powder coated for protection against rust

COMPRESSOR

- Hermetic scroll compressor
- Compressor mounted on vibration isolators

AIR COOLED CONDENSER

- Seamless copper tubes, mechanically expanded into aluminum ns with full height collars
- Leak tested at 600 PSIG from factory
- Dynamically and statically balanced, direct-drive fan

REFRIGERATION PARTS

- Service valves for suction line and liquid line

ELECTRICAL PARTS

- Magnetic contactor for fan motor
- Magnetic contactor for compressor
- High-Low pressure switches

PHYSICAL DATA & ELECTRICAL DATA

SPECIFICATION MODEL : TACU									
Model	UNIT	TACU-008AE	TACU-008AS	TACU-009AS	TACU-010AS	TACU-012AS	TACU-015AS	TACU-020AS	TACU-025AS
Nominal Capacity	MBH	78.8	78.8	89.1	107.5	130	159.5	205	256
Power Supply	V/Ph/Hz	380/3/50							
Power Consumption	kW	6.66		7.78	8.89	10.94	13.27	16.37	22.04
Compressor	Type	Scroll							
	Circuits	1							
Condenser coil	Type	Aluminum Louver Fin with Inner Groove Copper Tube							
Tube Size	Inch	7 mm.							
Condenser Fan & Motor		Propeller Fan : Vertical Discharge : Direct Drive							
Quantity		1				2			
RPM		925				927			
Air Quantity	CFM	6,300				12,600			
Refrigerant	Type	R-410A							
Charge		Holding Charge : R410a							
Connection	Suction	Inch	7/8		1-1/8				1-5/8
	Liquid	Inch		1/2			5/8		7/8
Dimension	Length	mm.	800			1,500			2,140
	Width	mm.				750			1,140
	Height	mm.	815		945			1,072	1,165
Weight Operating	Kgs.	115	120	142	150	170	185	215	360

***Nominal Capacity Based on 45F Suction Temp. And 95F ambient temp (1 MBH. = 1000 BTUH)

Model	UNIT	TACU-008AE	TACU-008AS	TACU-009AS	TACU-010AS	TACU-012AS	TACU-015AS	TACU-020AS	TACU-025AS
Compressor	Quantity	1							
	V/Ph/Hz	380/3/50							
	Power Input (Watt)	6,170		7,290	8,400	9,970	12,300	15,400	19,300
	FLA. (Amp.)	11		13.87	16.17	18	24.55	27.07	34.37
Fan Motor	LRA. (Amp.)	101		127	153	153	174	219	272
	Quantity	1				2			
	V/Ph/Hz	380/3/50							
	Power Input (Watt)	485				485 X 2			
FLA. (Amp.)	1.23				1.23 X 2				

Model	UNIT	TACU-020AS-2C	TACU-025AS-2C	TACU-030AS-2C	TACU-040AS-2C	TACU-050A	TACU-060A	TACU-070A	TACU-080A
Nominal Capacity	MBH	215	260	319	410	520	638	729	820
Power Supply	V/Ph/Hz	380/3/50							
Power Consumption	kW	17.77	22.68	27.34	34.91	43.9	54.2	61.7	67.8
Compressor	Type	Scroll							
	Circuits	2							
Condenser coil	Type	Aluminum Louver Fin with Inner Groove Copper Tube							
Tube Size	Inch	7 mm.				3/8			
Condenser Fan & Motor		Propeller Fan : Vertical Discharge : Direct Drive							
Quantity		2		3		3	4	5	
RPM		925	927		927		927		
Air Quantity	CFM	12,600	22,000		33,000	33,000	44,000	55,000	
Refrigerant	Type	R-410A							
Charge		Holding Charge : R410a							
Connection	Suction	Inch	1-3/8 x 2		1-5/8 x 2		2-1/8 x 2		
	Liquid	Inch	5/8 x 2			7/8 x 2			
Dimension	Length	mm.	1,500	2,140	2,860	2,300	3,300		
	Width	mm.	750	1,140			2,140		
	Height	mm.	1,072			1,165			
Weight Operating	Kgs.	250	390	415	485	683	714	823	935

***Nominal Capacity Based on 45F Suction Temp. And 95F ambient temp (1 MBH. = 1000 BTUH)

Model	UNIT	TACU-020AS-2C	TACU-025AS-2C	TACU-030AS-2C	TACU-040AS-2C	TACU-050A	TACU-060A	TACU-070A	TACU-080A
Compressor	Quantity	2				4			
	V/Ph/Hz	380/3/50							
	Power Input (Watt)	8,400 X 2	9,970 X 2	12,300 X 2	15,400 X 2	9,960 X 4	12,200 X 4	12,200 X 2 : 15,250 X 2	15,250 X 4
	FLA. (Amp.)	16.17 X 2	18 X 2	24.55 X 2	27.07 X 2	17.99 X 4	24.45 X 4	24.45 X 2 : 26.81 X 2	26.81 X 4
Fan Motor	LRA. (Amp.)	153	153	174	219	153	174	174 : 219	
	Quantity	2		3		3	4	5	
	V/Ph/Hz	380/3/50							
	Power Input (Watt)	485 X 2	1,369 X 2		1,369 X 3	1,369 X 3	1,369 X 4	1,369 X 5	
FLA. (Amp.)	1.23 X 2	3.36 X 2		3.36 X 3	3.36 X 3	3.36 X 4	3.36 X 5		

FLA = full Load Amp.

LRA = Locked Rotor Amp



UNIAIRE CORPORATION CO., LTD.

69 Moo 3 Kingkeaw Rd., Rachatewa District, Bangplee, Samutprakarn 10540 Thailand

Tel : +662-312-4500, Website : www.uni-aire.com

Export Sale : export@uni-aire.com

Domestic Sale : localsale@uni-aire.com