

AIR COOLED MODULAR CHILLER

MODEL : MACI-CHB

30 TR/UNIT

COMBINE UP TO 16 MODULAR

480 TR.



Features

- Inverter Chiller with **IPLV 16.38**
- Modules Available – 40HP
- 2 Operating Modes – Modular or Stand-alone
- Combine up to 16 modules
- Compact Design and Smaller Footprint



V-SHAPED CONDENSER

- The v-shaped condenser has used Inner grooved copper tube with aluminium louver fin, with heatexchange efficiency improved through full use of heat exchange area
- Condenser fan has used aluminium, fan blade provide large air volume, high durability and high air supply efficiency, with direct drive motor IP55

CONTROL SYSTEM

- Control type : Programmable logic control (PLC)
- HMI touch screen 7 inch
- Real time High – Low pressure and water temperature
- Freeze protection
- Control inverter via MODBUS Protocol
- Option : BMS/BAS



SHELL AND TUBE HEAT EXCHANGER

- High efficiency in performance, low water pressure drop and compact designed.
- Aluminium star rods fitted in copper tube, create turbulence refrigerant flow and cause higher heat transfer efficiency.

Compressor

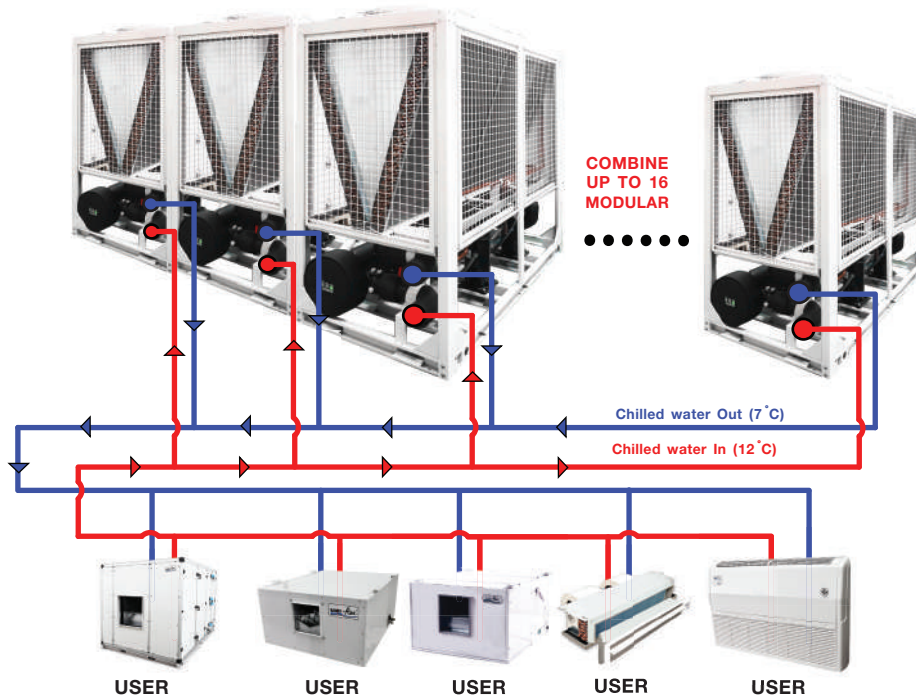


- Scroll "**Inverter**" Compressor
- High-efficient, energy saving and operates stable.

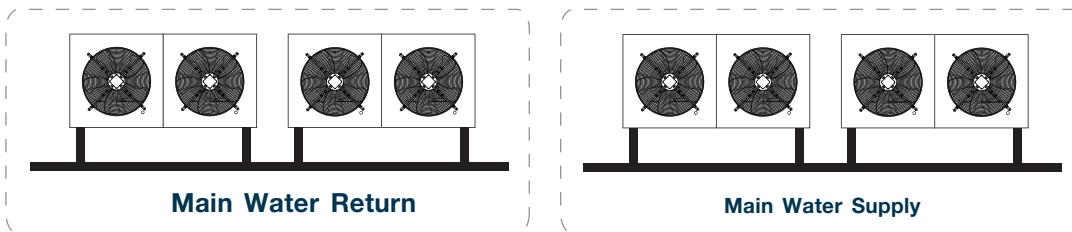
Piping and Refrigerant Part

- Electronic expansion valve
- Water Flow Switch
- Filter drier
- Sight glass
- Service Valve

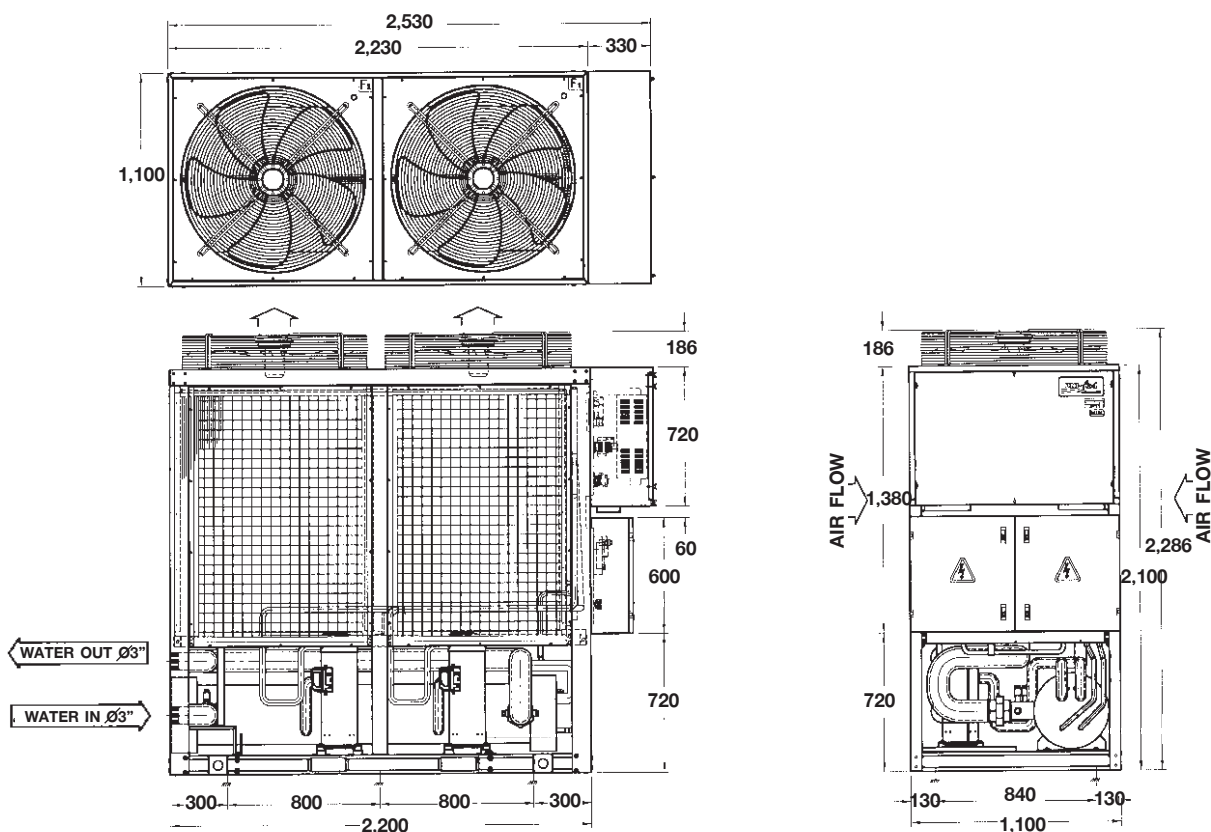
AIR-COOLED INVERTER MODULAR CHILLER



- Chillers can be installed in a zero-clearance configuration.
- Can be installed in restricted spaces and can be brought up by elevator to be installed on the rooftop of a high-rise building.



DIMENSIONAL DRAWINGS MODEL : MACI-CHB



PHYSICAL DATA

With International standard quality guaranteed by customers over 70 countries

SPECIFICATION MODEL : MACI-CHB			
Model	MACI-CHB	040A	
NOMINAL CAPACITY*	MBH.	360	
POWER CONSUMPTION	kW	33.6	
Cooling EER		10.71	
Cooling COP		3.14	
Cooling kW/Tonn		1.12	
IPLV**		0.73	
IPLV EER	BTUH/W.h	16.38	
IPLV COP	kW/kW	4.8	
MINIMUM Capacity	BTUH	25%	
COMPRESSOR	Type	Scroll (inverter)	
	Qty./Unit	2	
CONDENSER COIL	Type/Material	Aluminium Louver Fin with Inner Groove Copper Tube	
CONDENSER FAN & MOTOR	Fan	Type	Propeller Fan : Vertical Discharge : Direct Drive
		Diameter (mm.)	900
		Air Quantity (CFM)	26,000
MOTOR	Motor	RPM	900
		Qty./Unit	2
REFRIGERANT	Type	R-410A	
	Charge	Holding Charge : R-410a	
WATER CHILLER*	Chilled Water Flow Rate	GPM	72
	Chilled Water Temp. IN/OUT	°F	55/45
	Chilled Water Pressure Drop	Ft. WG	7.86
	Water Connection IN/OUT	Inch	3
DIMENSION	Length	mm.	2,530
	Width	mm.	1,100
	Height	mm.	2,286
WEIGHT (Aprox.)	kgs.	990	

*Nominal capacity based on 38°F suction temp. And 95°F ambient temp

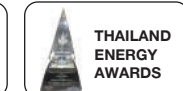
*Fouling Factor 0.0005 Ft².h.F/Btu in chiller

**IPLV calculate according to standard performance (AHRI 550-590) For SI. Unit, Cooling Capacity (kw)

= MBH X 1000 / 3412 (1 MBH = 1,000 BTUH)

ELECTRICAL DATA

MODEL	MACI-CHB	040A
COMPRESSOR (Each)	Quantity	2
	Volt/Phase/Hz	380/3/50
	Power Input (Watt)	14,221
	FLA. (Amp.)	25.45
FAN MOTOR (Each)	Quantity	2
	Volt/Phase/Hz	380/3/50
	Power Input (Watt)	2,579
	FLA. (Amp.)	4.98



UNIAIRE CORPORATION CO., LTD.

69 Moo 3 Kingkeaw Rd., Rachatewa District,

Bangplee, Samutprakarn 10540 Thailand

Tel : +662-312-4500, Website : www.uni-aire.com

Export Sale : export@uni-aire.com

Domestic Sale : localsale@uni-aire.com